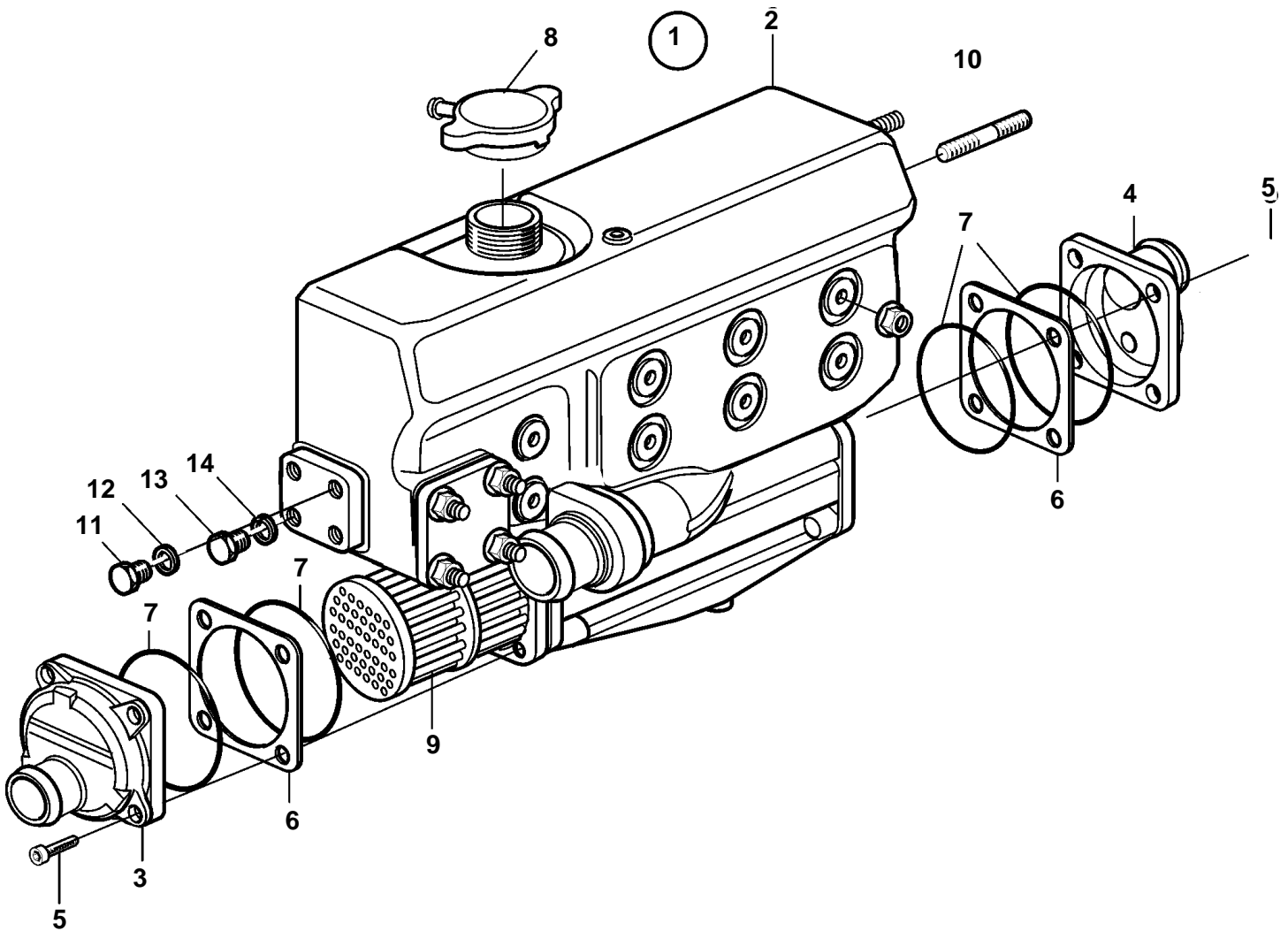


D2-55A, D2-55B



20771

D2-55A, D2-55B

REF	PART NO.	QTY	DESCRIPTION	NOTES
1	3583086	1	Heat exchanger	D2-55A
	3584213	1	Heat exchanger	D2-55B
2		1	• Heat exchanger housi	
3	3584207	1	• End plate	
4	3584206	1	• End plate	
5	3838337	8	• Screw	
6	3580968	1	• Plate	
7	3580818	4	• O-ring	
8	3581770	1	• Filler cap	
	888625	1	• Cap	
9	3584205	1	• Insert	
10	3584203	4	• Stud	
11	861918	1	• Plug	
12	861917	1	• Gasket	FOR 3583086
	947624	1	• Gasket	FOR 3584213
13	914391	1	• Plug	
14	947623	1	• Gasket	