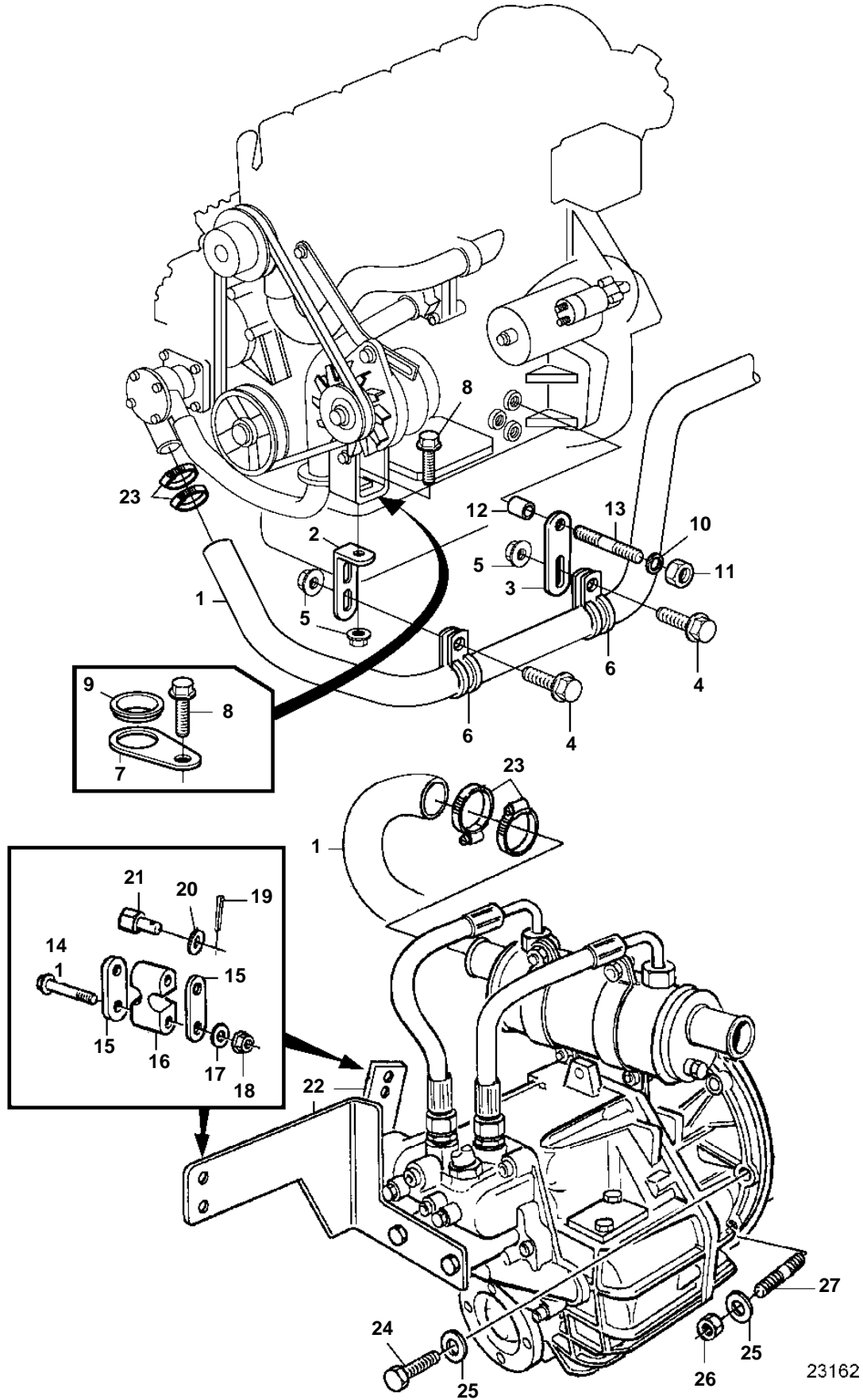


D2-55A, D2-55B, D2-55C



D2-55A, D2-55B, D2-55C

REF	PART NO.	QTY	DESCRIPTION	NOTES
1	3583367	1	Hose	For HS25A-A
2	965555	1	Bracket	
3	965535	1	Bracket	
4	946440	2	Flange screw	
5	945408	3	Flange nut	
6	949850	2	Clamp	
7	3580250	1	Stay	
8	946671	1	Flange screw	
9	3580251	1	Grommet	
10	845988	1	Sleeve	
11	3583789	1	Nut	
12	3582401	1	Adapter	
13	924083	1	Stud	
14	969439	2	Screw	
15	872076	2	Washer	
16	872074	1	Retainer	
17	940090	2	Washer	
18	949874	1	Lock nut	(946577)
19	17276	1	Cotter pin	
20	941906	1	Spring washer	
21	3852329	1	Cube	
22		1	Bracket	See transmission catalogue 7739840
23	949850	4	Clamp	
24	940134	4	Screw	
25	955896	6	Washer	
26	940157	2	Nut	
27	953288	2	Stud	