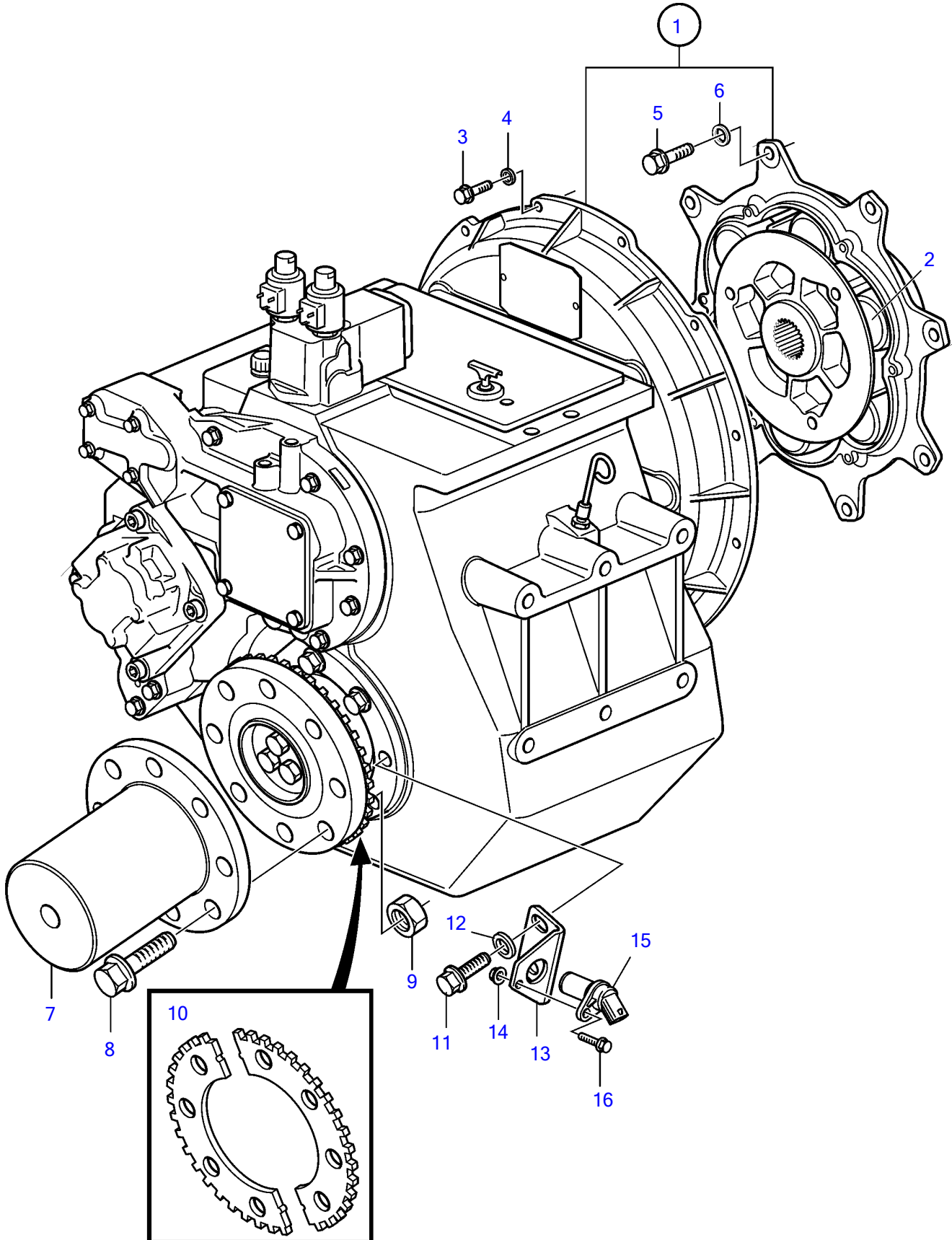


D16C-A MH, D16C-B MH, D16C-C MH



D16C-A MH, D16C-B MH, D16C-C MH

REF	PART NO.	QTY	DESCRIPTION	NOTES
1		1	Reversing gear	Ratio 1.48:1
		1	Reversing gear	Ratio 1.75:1
		1	Reversing gear	Ratio 1.96:1
		1	Reversing gear	Ratio 1.96:1
		1	Reversing gear	Ratio 2.50:1
2	21509621	1	• Roller kit	Kit includes 8 pcs rubber rollers
3	965185	12	Flange screw	
4	941908	12	Spring washer	
5	965194	8	Flange screw	
6	940280	8	Spring washer	
7	3883413	1	Shaft coupling	
8		8	Screw	
9		8	Nut	
10	3843686	2	Sprocket wheel	
11	946440	2	Flange screw	
12	941907	2	Spring washer	
13	3843689	1	Bracket	
14	949278	1	Flange lock nut	
15	20513343	1	Sensor	
16	946544	1	Flange screw	