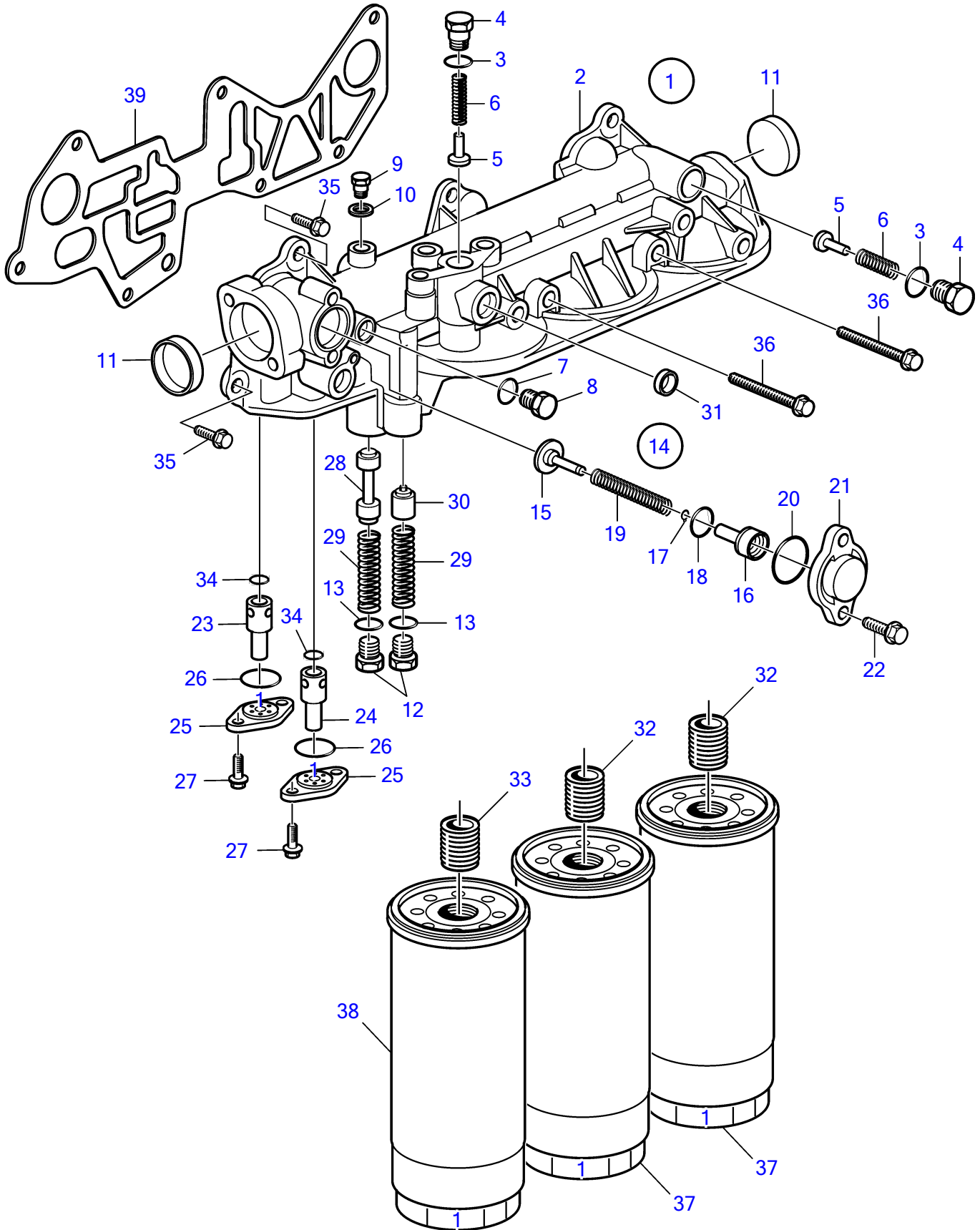


D16C-A MH, D16C-B MH, D16C-C MH



D16C-A MH, D16C-B MH, D16C-C MH

REF	PART NO.	QTY	DESCRIPTION
1	8131100		Oil filter housing
2		1	• Oil filter housing
3	947627	2	• Gasket
4	471598	2	• Plug
5	471085	2	• Valve cone
6	466653	2	• Compression spring
7	11998	2	• Gasket
8	960632	2	• Plug
9	960628	1	• Plug
10	947281	1	• Gasket
11	967962	2	• Cap plug
12	20381215	2	• Plug
13	947629	2	• Gasket
14	3169687	1	• Relief valve
15		1	• • Valve
16		1	• • Valve guide
17	955964	1	• • Snap ring
18	976039	1	• • O-ring
19		1	• • Spring
20	949659	1	• O-ring
21	3184806	1	• Cover
22	947542	2	• Flange screw
23	3826265	1	• Reduction valve
24	471706	1	• Reduction valve
25	471648	2	• Cover
26	949659	2	• O-ring
27	946544	4	• Flange screw
28	20440781	1	• Piston
29	20464676	2	• Spring
30	20440779	1	• Valve cone
31	946778	1	• Cap plug
32	466623	2	• Nipple
33	469904	1	• Nipple
34	469846	2	• Sealing ring
35	945444	5	Flange screw
36	968999	2	Flange screw
37	478736	2	Oil filter
38	477556	1	Oil filter
39	20823322	1	Gasket