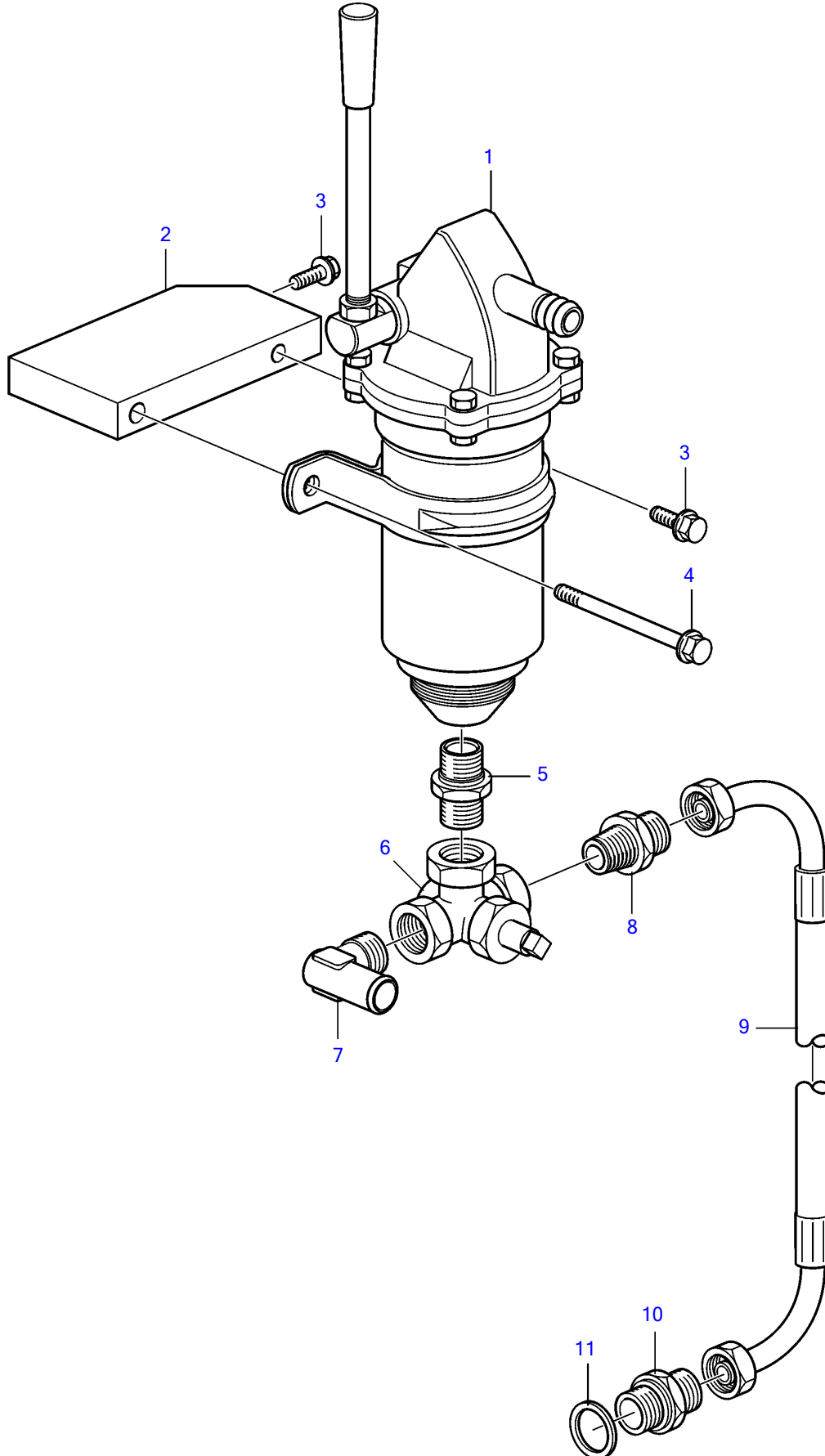


D16C-A MH, D16C-B MH, D16C-C MH



23276

D16C-A MH, D16C-B MH, D16C-C MH

REF	PART NO.	QTY	DESCRIPTION
1	3827475	1	Oil drain pump
2	3588976	1	Bracket
3	946173	3	Flange screw
4	965183	1	Flange screw
5	16452	1	Double nipple
6	866572	1	Faucet
7	467716	1	Elbow nipple
8	968187	1	Nipple
9	3886248	1	Oil hose
10	963954	1	Nipple
11	976933	1	Gasket