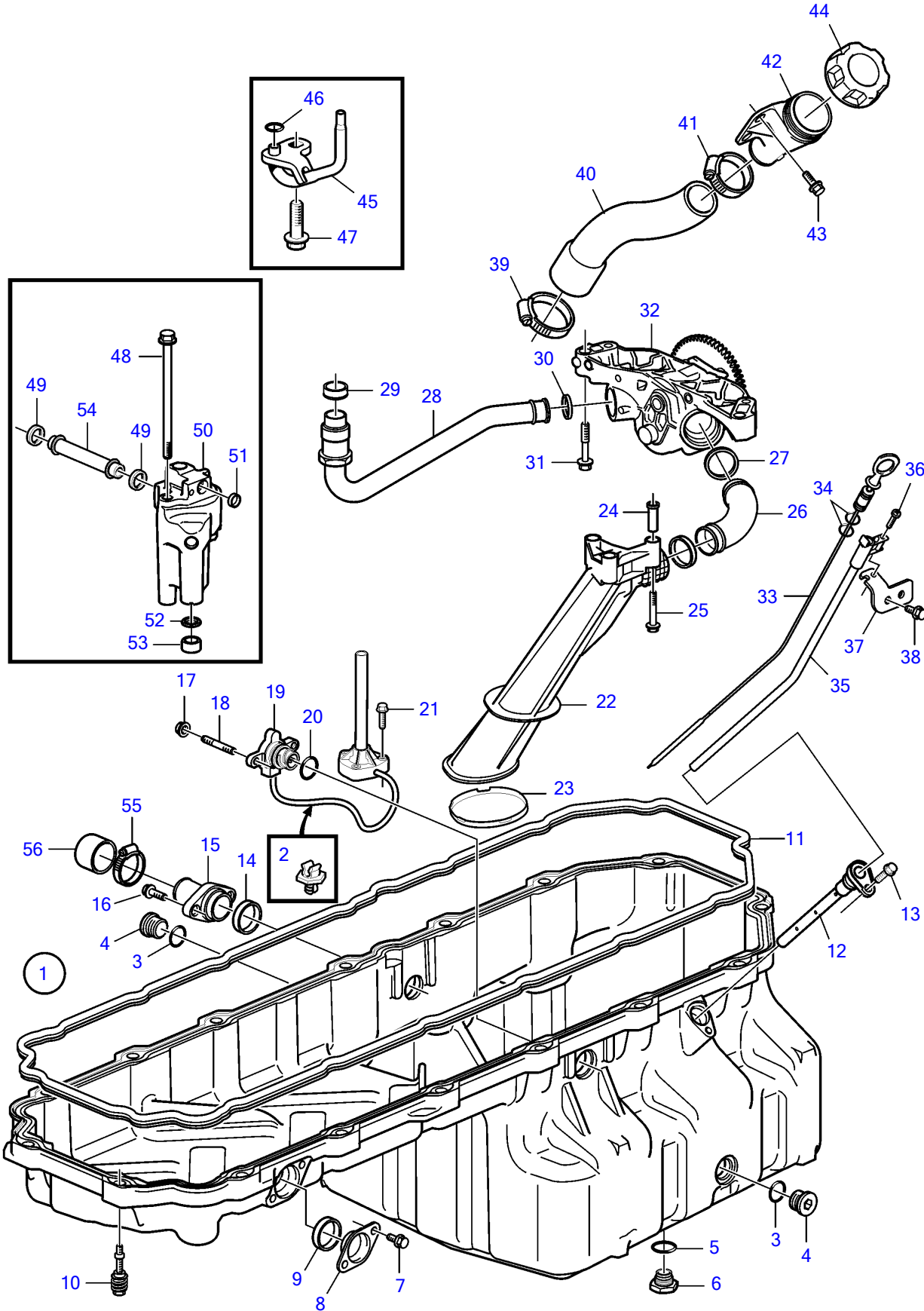


D16C-A MH, D16C-B MH, D16C-C MH



D16C-A MH, D16C-B MH, D16C-C MH

REF	PART NO.	QTY	DESCRIPTION	SEE SEC.
1	20775763	1	Oil pan	
2	20700754	3	• Retainer	
3	968209	2	• O-ring	
4	968612	2	• Plug	
5	20579690	1	• Gasket	
6	20571854	1	• Magnetic plug	
7	946440	2	Flange screw	
8	3964803	1	Plug	
9	20555696	1	Sealing ring	
10	20463185	16	Flange screw	
11	20734156	1	Sealing strip	
12	20724256	1	Pipe	
13	946173	1	Flange screw	
14	20555696	1	Sealing ring	
15	20462497	1	Connection pipe	
16	946173	2	Flange screw	
17	945407	2	Flange nut	
18	953035	2	Stud	
19		1	Oil pressure sensor	21308
20	990719	1	• O-ring	
21	948356	3	Flange screw	
22	20547257	1	Oil strainer	
23	8131965	1	• Strainer	
24	20547263	3	• Spacer sleeve	
25	977275	3	Flange screw	
26	20737892	1	Suction pipe	
27	20555696	2	Sealing ring	
28	20708889	1	Pressure pipe	
29	980790	1	• Ferrule	
30	1543578	1	Sealing ring	
31	21344756	4	Screw	
32	20553753	1	Oil pump	
33	3841225	1	Oil dipstick	
34	949187	2	O-ring	
35	3841227	1	Pipe	
36	975371	1	6 point socket screw	
37		1	Bracket	
38	946440	2	Flange screw	
39	961671	1	Hose clamp	
40	3841223	1	Hose	
41	961670	1	Hose clamp	
42	20808091	1	Oil filler pipe	
43	944926	2	Flange screw	
44	20807510	1	Oil filler cap	
45	3839496	6	Piston cooling jet	
46	955982	6	• O-ring	
47	966378	6	Flange screw	
48	969225	2	Flange screw	
49	1677370	2	Sealing ring	
50	20540340	1	Intermediate housing	
51	955082	3	• Cap plug	
52	20526428	1	• Sealing ring	
53	20775471	1	Spacer sleeve	
54	20571452	1	Outlet pipe	
55	961670	1	Hose clamp	
56	424543	1	Rubber plug	