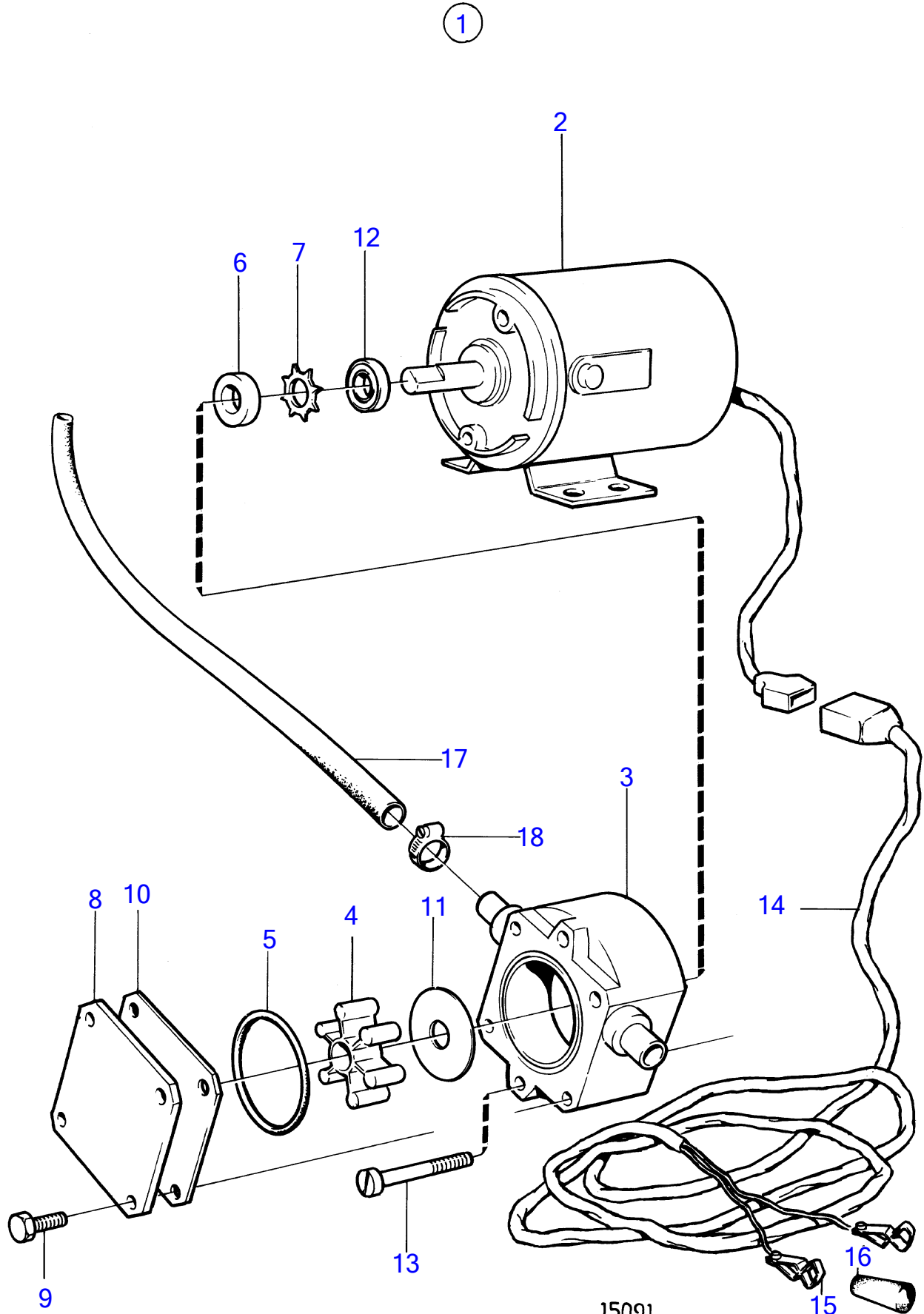


D16C-A MH, D16C-B MH, D16C-C MH



Upd:2012-01-20

15091
15091

7746510-22-21316

D16C-A MH, D16C-B MH, D16C-C MH

REF	PART NO.	QTY	DESCRIPTION	NOTES
1	843410	1	Oil bilge pump	24V
2	842222	1	• Electrical motor	
3	(844015)	1	• • Pump housing	Obsolete part
4	844022	1	• • Impeller kit	
5		1	• • • O-ring	
6		1	• • • Sealing ring	
7		1	• • • Lock ring	
8	844018	1	• • Cardboard tube	
9	844021	4	• • Screw	
10	844017	1	• • Wear washer	
11	844016	1	• • Wear washer	
12	(844019)	1	• • Deflector ring	Obsolete part
13	969518	2	• • 6 point socket screw	
14	843113	1	• Cable trunk	
15	881487	2	• • Cable terminal	
16	(844279)	1	• • Isolation	Black, Obsolete part
	(844278)	1	• • Isolation	Obsolete part, Red
17	949100	X	• Hose	
18	943471	3	• Hose clamp	