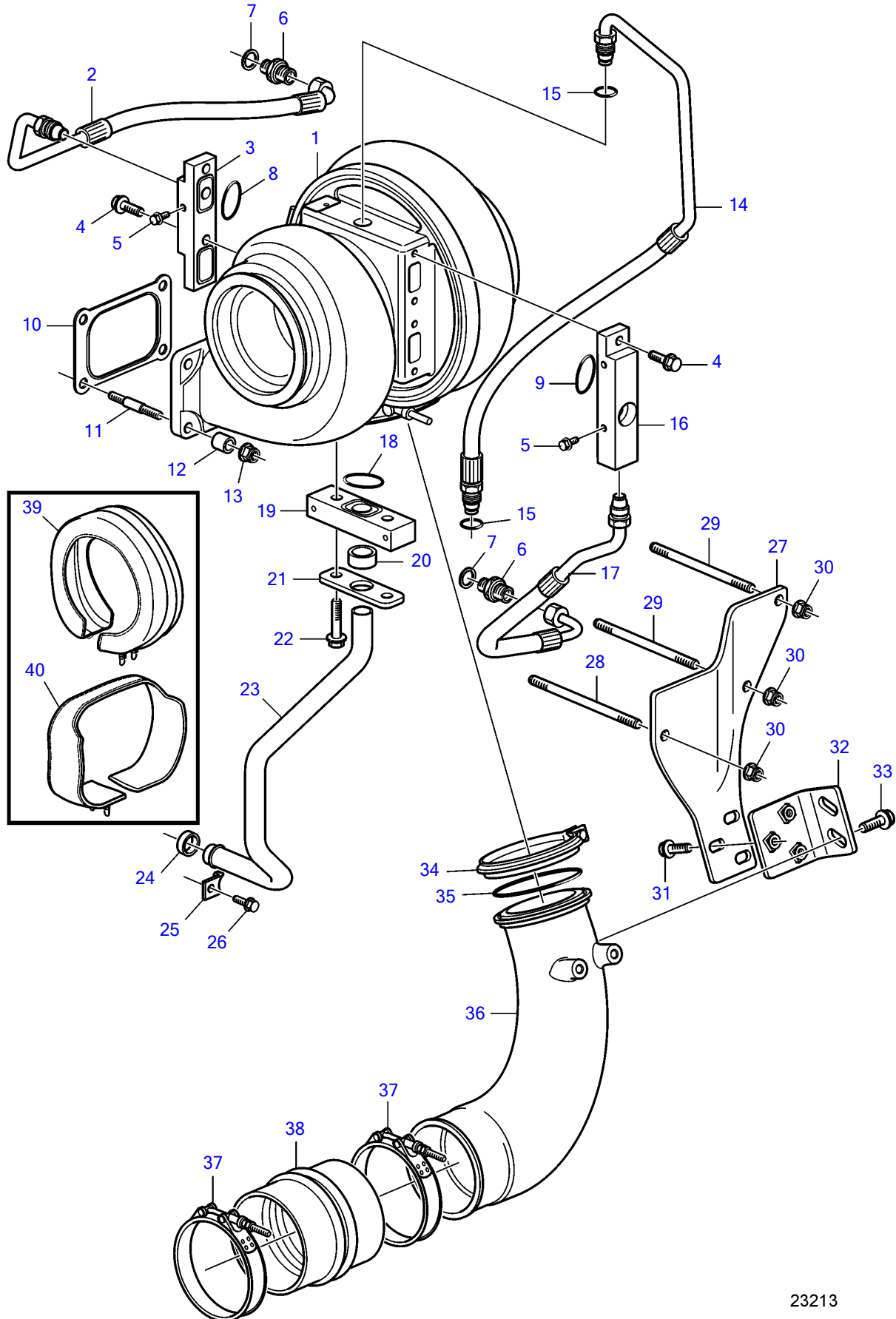


D16C-A MH, D16C-B MH, D16C-C MH



23213

D16C-A MH, D16C-B MH, D16C-C MH

REF	PART NO.	QTY	DESCRIPTION	SEE SEC.	NOTES
1	3801119	1	Turbocharger, exch		
2	3886690	1	Hose		
3	3886298	1	Outlet flange		
4	945444	4	Flange screw		
5	967949	3	Flange screw		
6	963948	2	Nipple		
7	11996	2	Gasket		
8	944126	2	O-ring		
9	944126	2	O-ring		
10	21514422	1	Gasket		
11	20579303	4	Stud		
12	478344	4	Spacer sleeve		
13	1543499	4	Flange nut		
14	3849493	1	Hose		(3886694)
15	976971	2	O-ring		
16	3849486	1	Inlet flange		(3886296)
17	3886692	1	Hose		
18	925066	1	O-ring		
19	3886372	1	Flange connection		
20	469601	1	Sealing ring		
21	3886434	1	Flange		
22	947760	2	Flange screw		
23	3886955	1	Oil pipe		
24	1547255	1	Sealing ring		
25	1546531	1	Lock brace		
26	946440	1	Flange screw		
27	3885147	1	Bracket		
28		1	Stud	9888	
29		2	Stud	9888	
30		3	Nut	9888	
31	946173	3	Flange screw		
32	3885149	1	Bracket		
33	946329	1	Flange screw		
34	3886542	1	V-band clamp		
35	1675066	1	Sealing ring		
36	3818250	1	Charge air pipe		
37	20435760	2	Hose clamp		
38	3838792	1	Charge air hose		
39	3887846	1	Isolation		
40	3887844	1	Isolation		