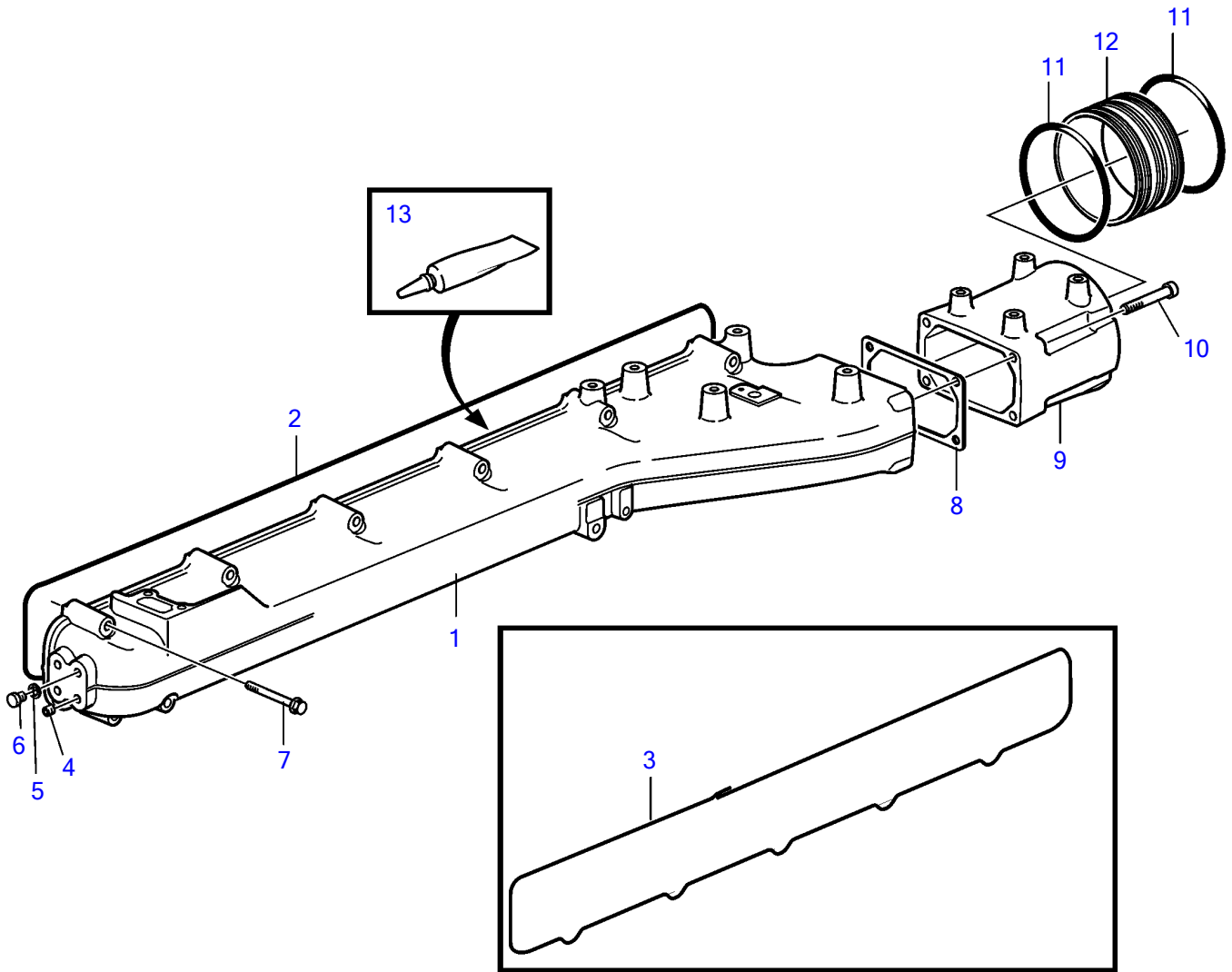
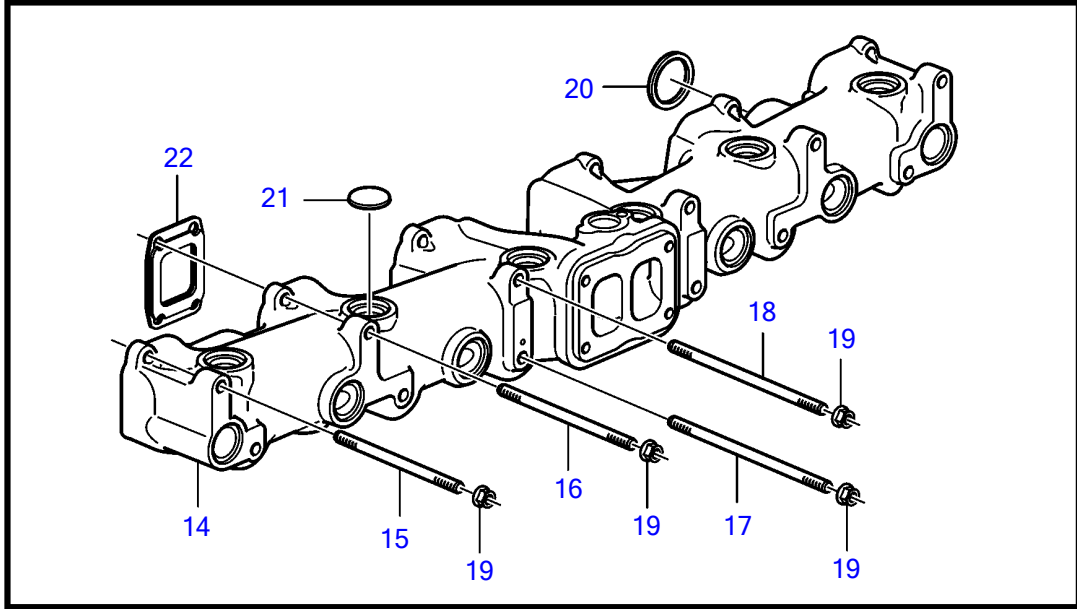


D16C-A MH, D16C-B MH, D16C-C MH



D16C-A MH, D16C-B MH, D16C-C MH

REF	PART NO.	QTY	DESCRIPTION	SEE SEC.	NOTES
1	3887300	1	Inlet pipe		Replaced by 3595067
	3595067	1	Inlet pipe		Replaced by 21161014
	21161014	1	Inlet pipe		Replaced by 21412904
	21412904	1	Inlet pipe		
2	(3887298)	1	• Seal		For 3595067, 21161014 & 21412904, Obsolete part
3	21407106	1	• Sealing		For 21412904
4	479979	1	Plug		
5	947281	1	Gasket		
6	960628	1	Plug		
7	965181	12	Flange screw		
8	477314	1	Gasket		
9	3819105	1	Adapter		
10	963702	4	Hex. socket screw		
11	3812484	2	O-ring		
12	3808387	1	Connector		
13	1161231	X	Sealant		
14	3809130	1	Exhaust manifold		Replaced by 21269432
	21269432	1	Exhaust manifold	35828	Replaced by exhaust manifold 21322364
15	953007	4	Stud		
16	17378	4	Stud		
17	130200	2	Stud		
18	130201	2	Stud		
19	976432	12	Flange nut		
20	975693	2	O-ring		
21	968955	18	Expansion plug		
22	20744865	6	Gasket		