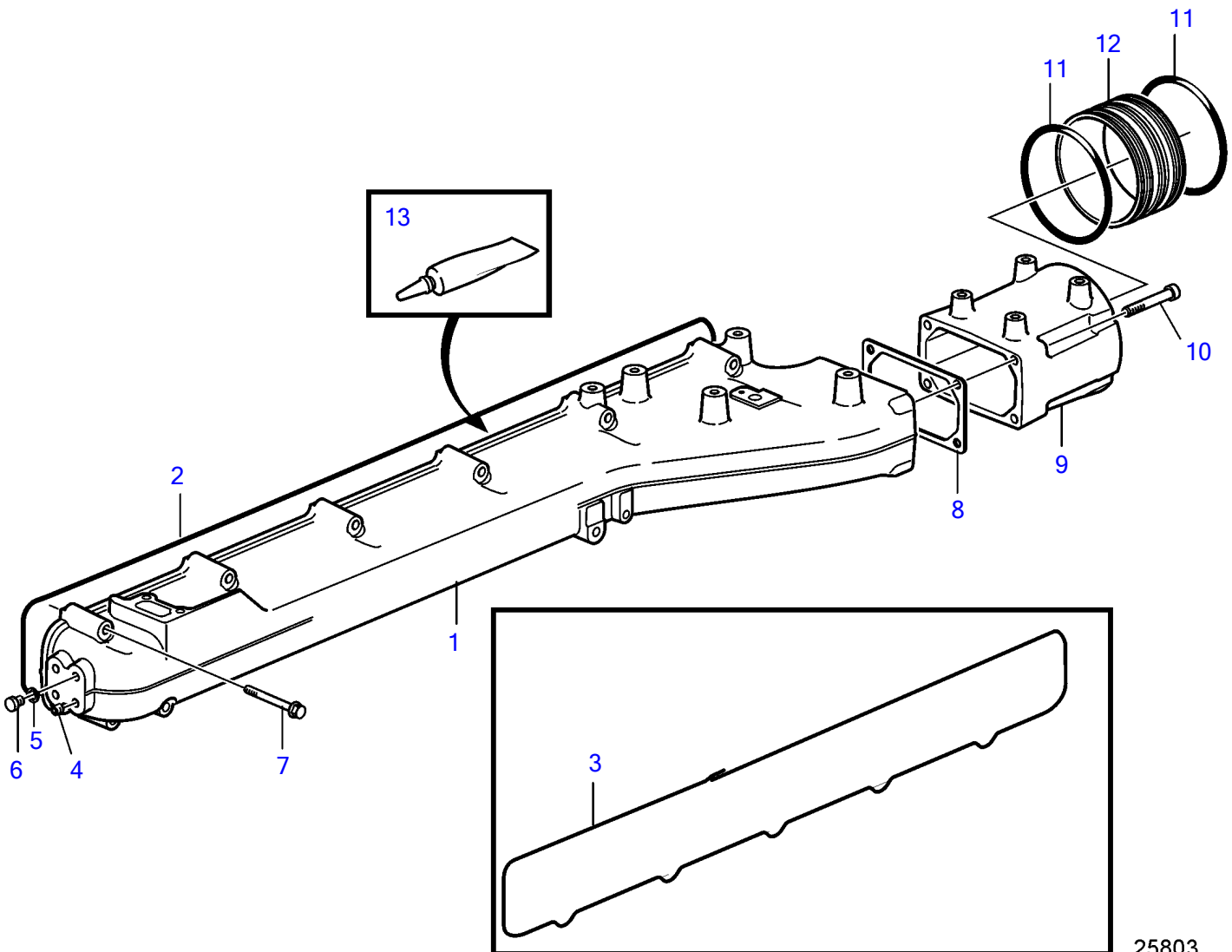
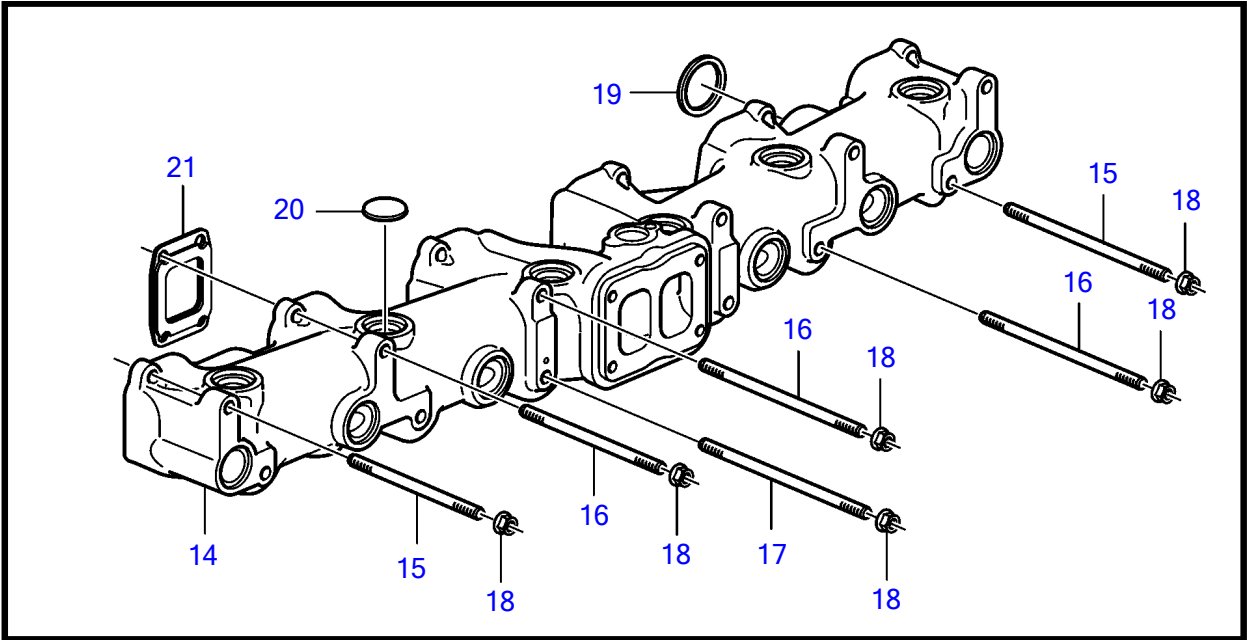


D16C-A MH, D16C-B MH, D16C-C MH



D16C-A MH, D16C-B MH, D16C-C MH

REF	PART NO.	QTY	DESCRIPTION	NOTES
1	3887300	1	Inlet pipe	Replaced by 3595067
	3595067	1	Inlet pipe	Replaced by 21161014
	21161014	1	Inlet pipe	Replaced by 21412904
	21412904	1	Inlet pipe	
2	(3887298)	1	• Seal	For 3595067, 21161014 & 21412904, Obsolete part
3	21407106	1	• Sealing	For 21412904
4	479979	1	Plug	
5	947281	1	Gasket	
6	960628	1	Plug	
7	965181	12	Flange screw	
8	477314	1	Gasket	
9	3819105	1	Adapter	
10	963702	4	Hex. socket screw	
11	3812484	2	O-ring	
12	3808387	1	Connector	
13	1161231	X	Sealant	
14	21322364	1	Exhaust manifold	
15	980558	4	Stud	
16	994077	6	Stud	
17	994078	2	Stud	
18	976432	12	Flange nut	
19	975693	2	O-ring	
20	968955	18	Expansion plug	
21	21352841	6	Gasket	