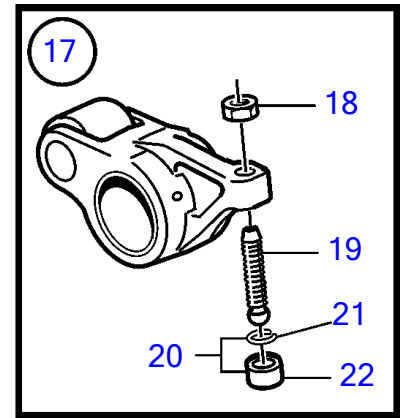
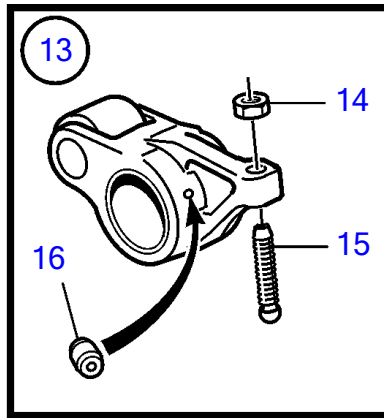
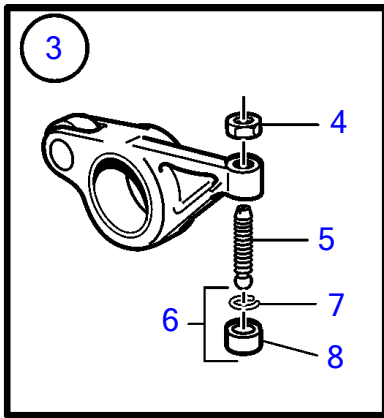
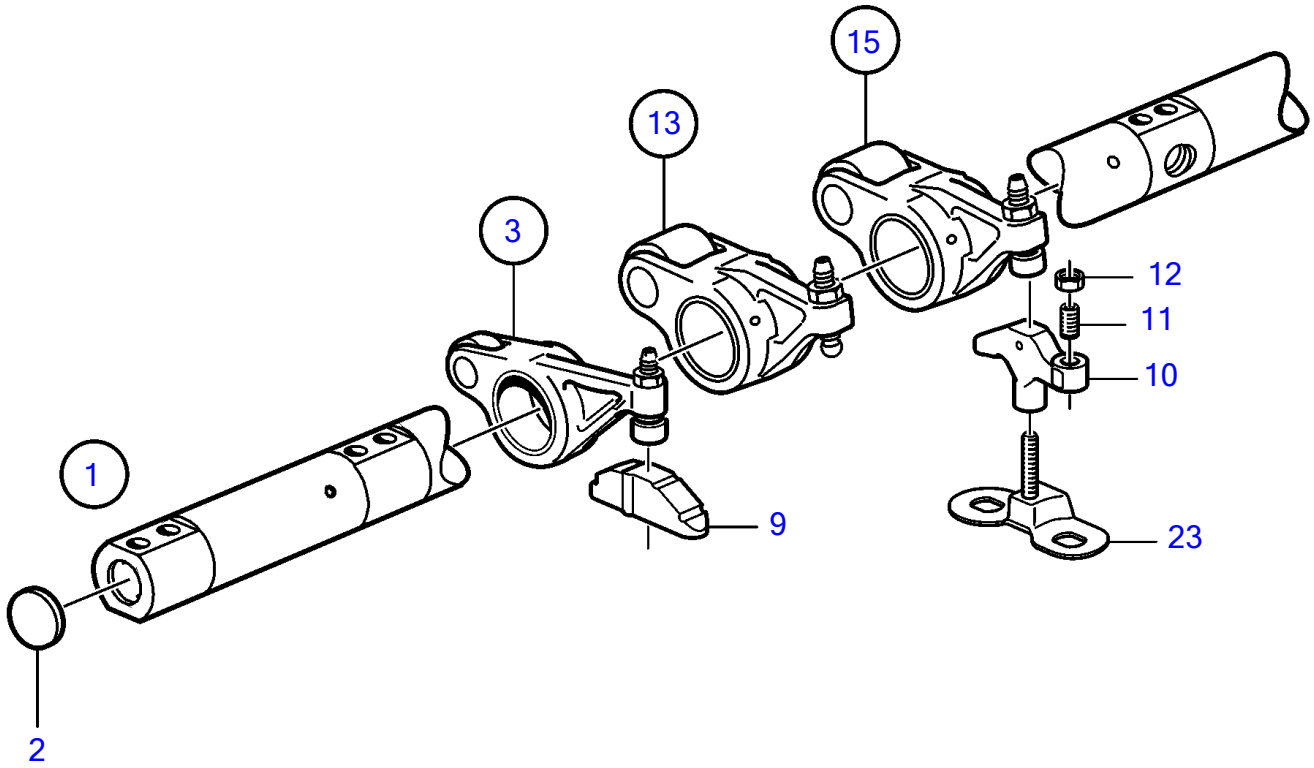


D16C-A MH, D16C-B MH, D16C-C MH



23129

D16C-A MH, D16C-B MH, D16C-C MH

REF	PART NO.	QTY	DESCRIPTION	NOTES
1	24426580	1	Rocker arm shaft	
2	955096	2	• Expansion plug	
3	20887766	6	Rocker arm	
4	946911	1	• Hexagon nut	
5	(20501055)	1	• Adjusting screw	Obsolete part
6	20441753	1	• Ball socket	
7	944364	1	• • O-ring	
8		1	• • Ball seat	
9	20463791	6	Valve yoke, intake	
10	20857578	6	Valve yoke, exhaust	
11	20551362	6	• Adjusting screw	
12	946911	6	• Hexagon nut	
13	20888119	6	Rocker arm	
14	1677396	1	• Hexagon nut	
15	(20501057)	1	• Adjusting screw	Obsolete part
16	3964817	1	• Jet	
17	20888089	6	Rocker arm	Replaced by 21161745
	21161745	6	Rocker arm	
18	946911	1	• Hexagon nut	
19	(20501055)	1	• Adjusting screw	Obsolete part
20	20441753	1	• Ball socket	
21	944364	1	• • O-ring	
22		1	• • Ball seat	
23	20554268	6	Guide pin	