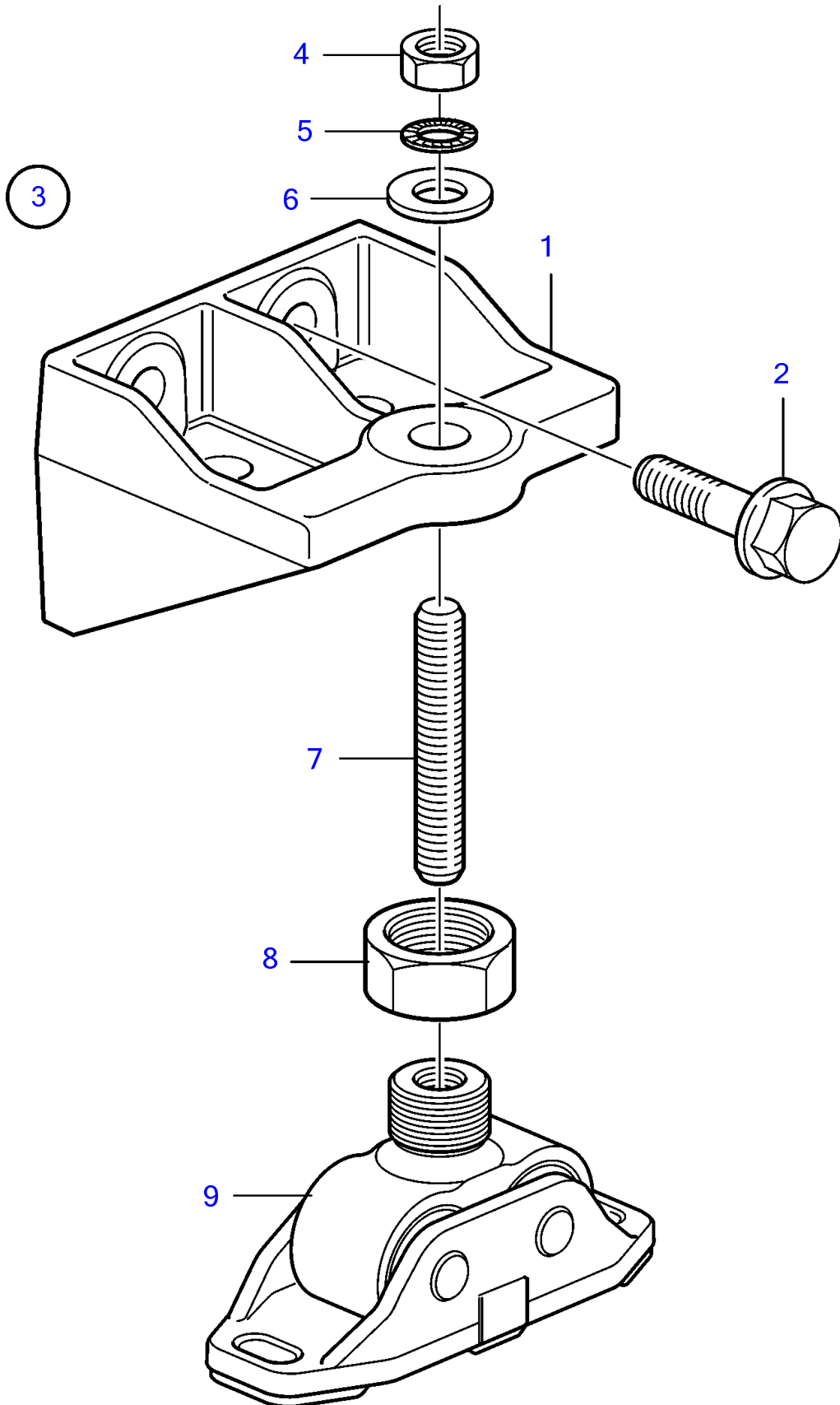


D16C-A MH, D16C-B MH, D16C-C MH



D16C-A MH, D16C-B MH, D16C-C MH

REF	PART NO.	QTY	DESCRIPTION
1	3808006	2	Engine bracket
2	968436	8	Flange screw
3	3843493	4	Rubber cushion kit
4	955786	4	• Hexagon nut
5	990697	4	• Lock washer
6	991994	4	• Washer
7	3817323	4	• Adjusting screw
8	3840980	4	• Nut
9		4	• Bracket