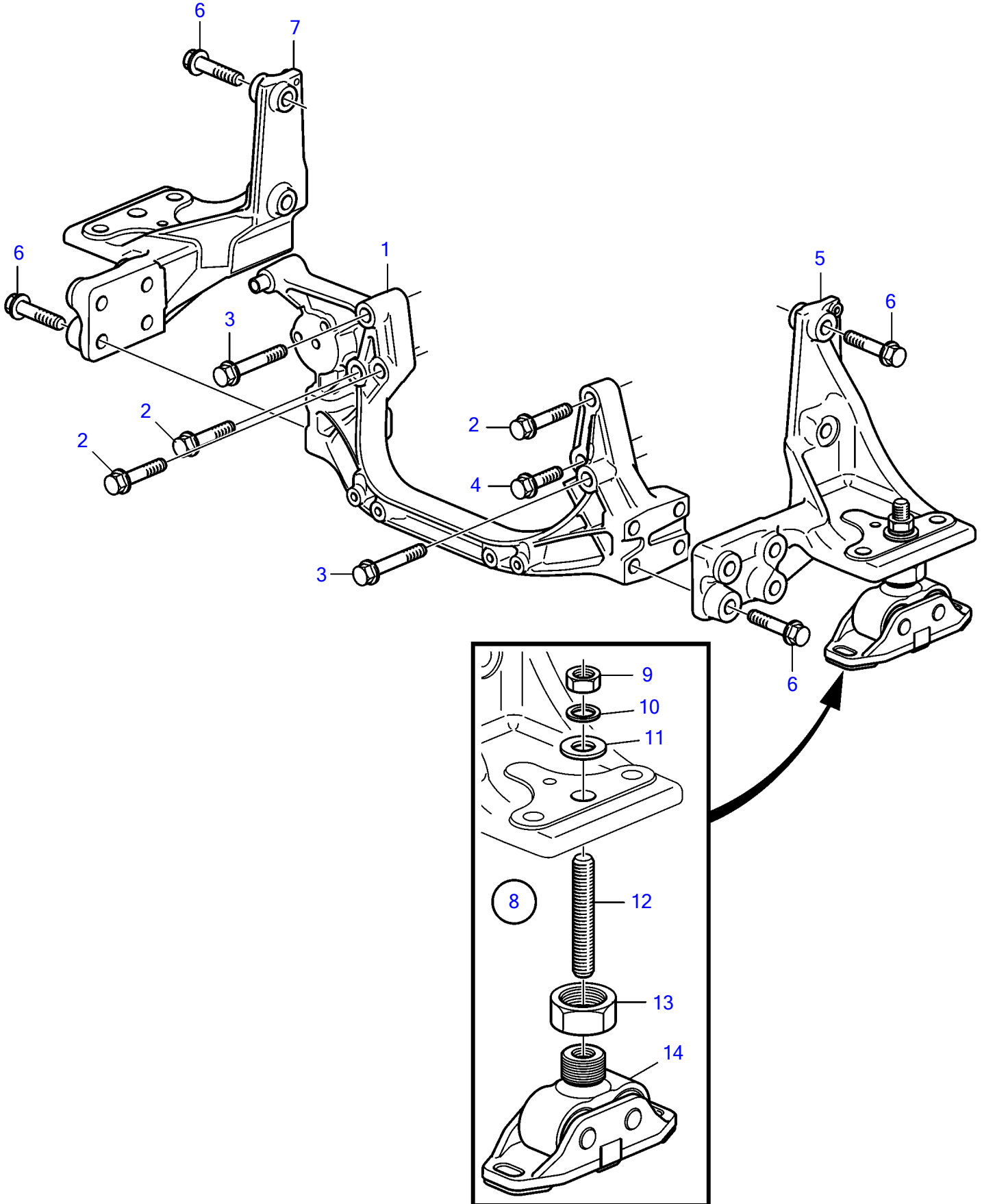


D16C-A MH, D16C-B MH, D16C-C MH



D16C-A MH, D16C-B MH, D16C-C MH

REF	PART NO.	QTY	DESCRIPTION
1	3828707	1	Engine mountings
2	974008	3	Flange screw
3	975127	2	Flange screw
4	975126	1	Flange screw
5	3843218	1	Engine bracket
6	974008	12	Flange screw
7	3843220	1	Engine bracket
8	3843493		Rubber cushion kit
9	955786	2	• Hexagon nut
10	990697	2	• Lock washer
11	991994	2	• Washer
12	3817323	2	• Adjusting screw
13	3840980	2	• Nut
14		2	• Bracket