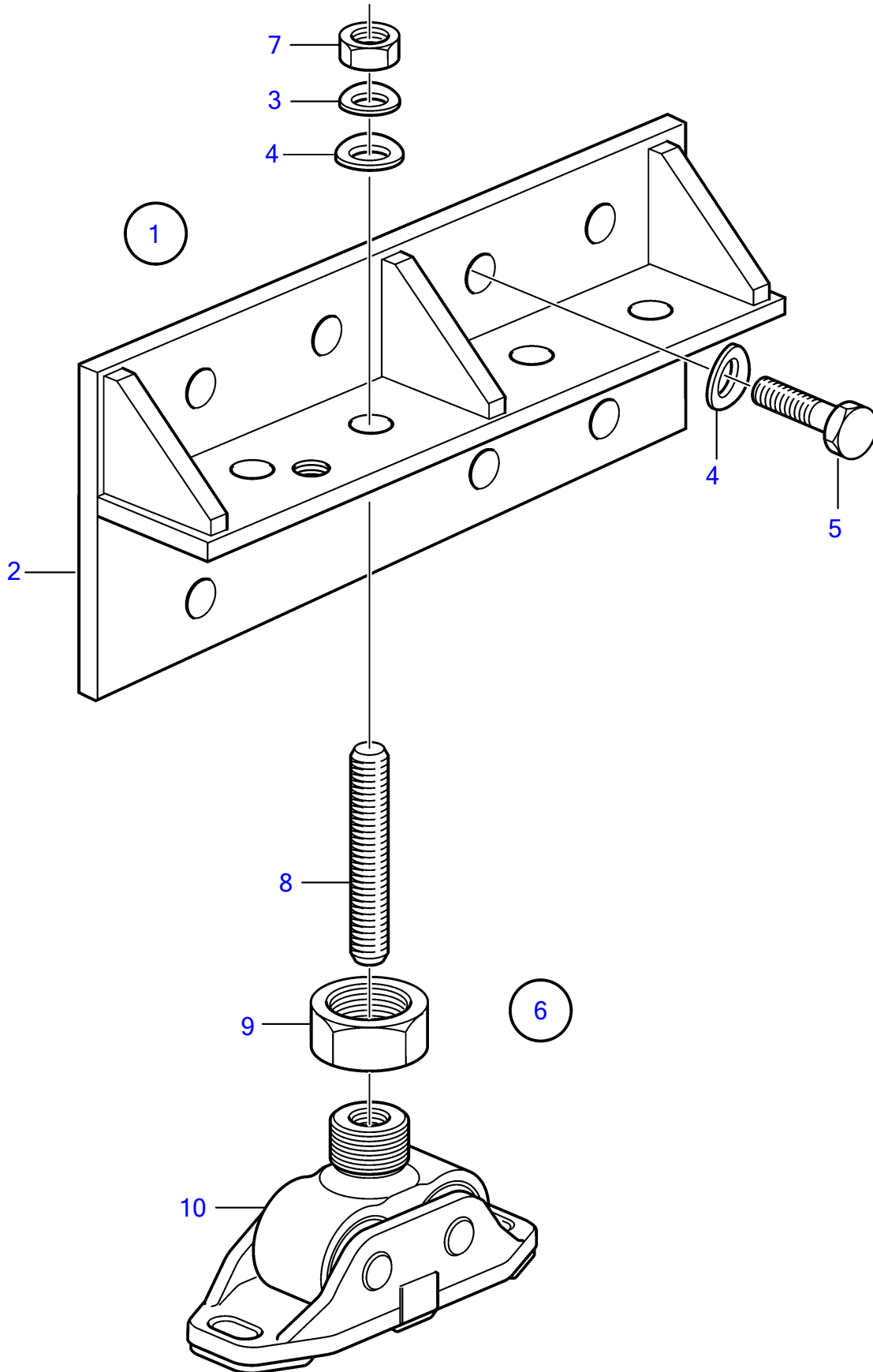


D16C-A MH, D16C-B MH, D16C-C MH



D16C-A MH, D16C-B MH, D16C-C MH

REF	PART NO.	QTY	DESCRIPTION	NOTES
1		1	Connector kit	Ordered by PMI
2		1	• Engine bracket kit, kit	Contains 2 brackets
3	941908	12	• Spring washer	
4	940280	20	• Spring washer	
5	965194	8	• Flange screw	
6	3843493	4	Rubber cushion kit	
7	3840980	4	• Nut	
8	3817323	4	• Adjusting screw	
9	3840980	4	• Nut	
10		4	• Bracket	