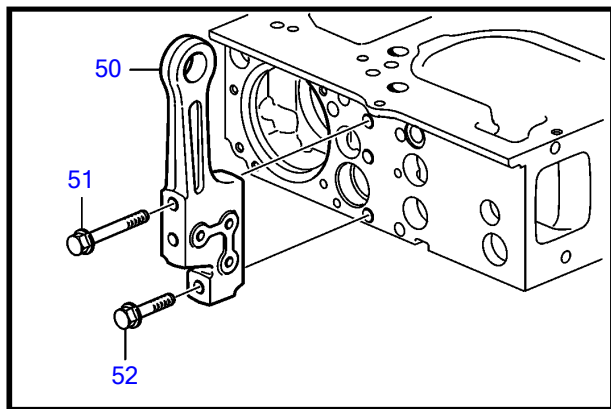
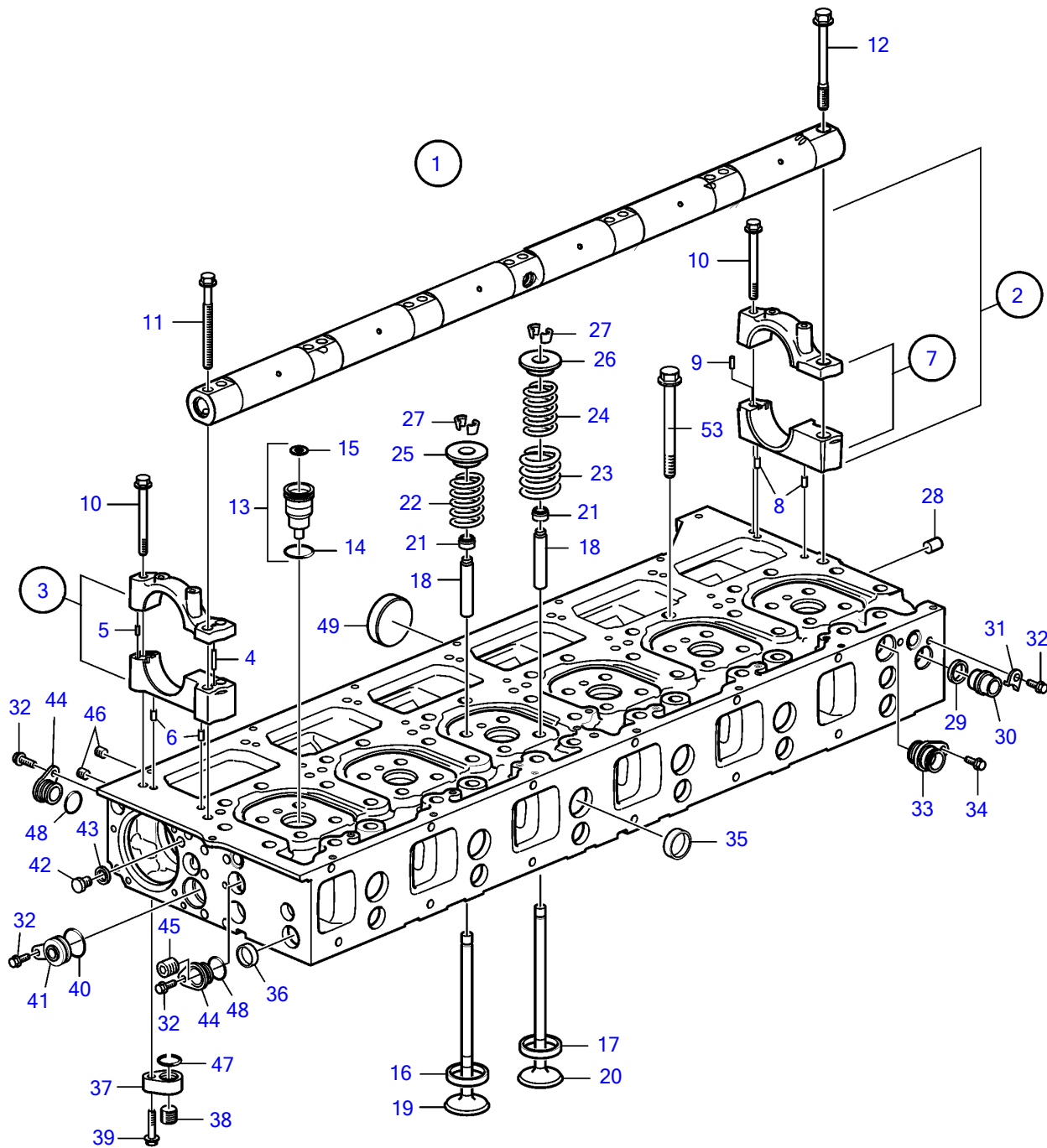


D16C-A MH, D16C-B MH, D16C-C MH



23113

## D16C-A MH, D16C-B MH, D16C-C MH

REF	PART NO.	QTY	DESCRIPTION	NOTES
1	3801394	1	Cylinder head	(3801139)
2	3184068	1	• Bearing housing	When replacing one or more bearing houses the first time, all of the bearing houses must be replaced. Then each bearing house can be replaced separat
3	20946882	6	• Bearing housing	When replacing one or more bearing houses the first time, all of the bearing houses must be replaced. Then each bearing house can be replaced separat
4	950550	6	• • Pin	When replacing one or more bearing houses the first time, all of the bearing houses must be replaced. Then each bearing house can be replaced separat
5	950542	6	• • Pin	When replacing one or more bearing houses the first time, all of the bearing houses must be replaced. Then each bearing house can be replaced separat
6	950562	12	• • Pin	
7	20946876	1	• Bearing housing	
8	950562	2	• • Pin	
9	950542	1	• • Pin	
10	975105	7	• Flange screw	
11	20533693	12	• Flange screw	
12	20412482	1	• Flange screw	
13	21098621	6	• Injector sleeve	(85104134)
14	20536487	1	• • O-ring	
15	21261987	1	• • Washer	
16	20709467	12	• Valve seat	Inlet
17	20564028	12	• Valve seat	Exhaust
18	20916916	24	• Valve guide	Replaced by 21067953
	21067953	24	• Valve guide	
19	20739057	12	• Inlet valve	Inlet
20	20513285	12	• Exhaust valve	Exhaust
21	20924435	24	• Valve stem seal	(20787121)
22	21326667	12	• Valve spring	Inlet
23	21448332	12	• Valve spring	Exhaust
24	21324296	12	• Valve spring	Exhaust
25	20551394	12	• Valve spring washer	Inlet
26	20551396	12	• Valve spring washer	Exhaust
27	8170995	48	• Valve collet	
28	968062	1	• Plug	
29	1547252	2	• Sealing ring	
30	20845995	1	• Plug	
31	1546531	1	• Lock brace	
32	947107	4	• Flange screw	
33	20429993	1	• Pass-through	
34	946440	1	• Flange screw	
35	24426722	6	• Expansion plug	
36	24426721	14	• Expansion plug	
37	3819529	1	• Adapter	
38	968146	1	• Plug	
39	946671	1	• Flange screw	
40	975667	1	• O-ring	For use with 3812456 adapter
	1547253	1	• Sealing ring	For use with 21160741 adapter
41	3812456	1	• Adapter	For cylinder head 3801139
	21160741	1	• Adapter	For cylinder head 3801394
42	960628	1	• Plug	
43	947281	1	• Gasket	
44	3887007	2	• Adapter	
45	968063	1	• Plug	
46	968061	2	• Plug	
47	949657	1	• O-ring	
48	1547252	2	Sealing ring	
49	24426723	3	Expansion plug	
50		1	Lifting eye	
51		2	Flange screw	
52	975112	1	Flange screw	
53	1547040	38	Flange screw	