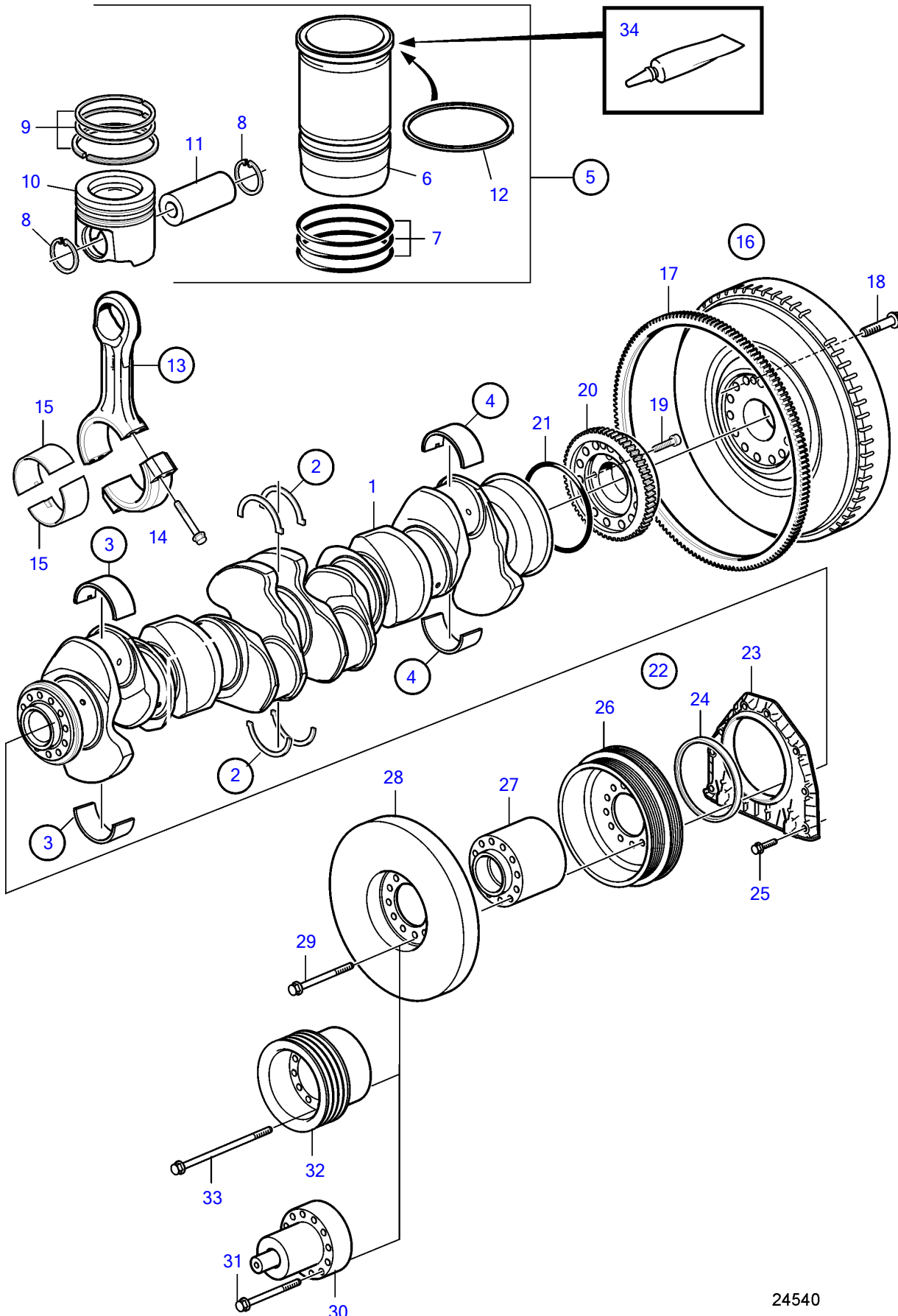


D16C-A MH, D16C-B MH, D16C-C MH



D16C-A MH, D16C-B MH, D16C-C MH

REF	PART NO.	QTY	DESCRIPTION	SEE SEC.	NOTES
1	20758947	1	Crankshaft, classified		
2	270929	1	Thrust washer kit		Std
	270930	1	Thrust washer kit		O.S=0,10mm
	270931	1	Thrust washer kit		O.S=0,20mm
	270932	1	Thrust washer kit		O.S=0,30mm
3	20578851	6	Main bearing kit		SN002477-, Std
	20700881	6	Main bearing kit		SN002477-, O.S=0,25mm
	20700882	6	Main bearing kit		SN002477-, O.S=0.50mm
	20700886	6	Main bearing kit		SN002477-, O.S=1,00mm
4	20578853	1	Main bearing kit		SN002477- Bearing no 7., Std
	20700890	1	Main bearing kit		SN002477- Bearing no 7., O.S=0,25mm
	20700891	1	Main bearing kit		SN002477- Bearing no 7., O.S=0.50mm
	20700893	1	Main bearing kit		SN002477- Bearing no 7., O.S=1,00mm
5	3886754	6	Cylinder liner kit		
6		6	• Cylinder liner		
7	20520607	6	• Sealing ring kit		
8	945483	12	• Snap ring		
9	3886753	6	• Piston ring kit		
10		6	• Piston		
11	8131232	6	• Piston pin		
12	20523555	X	Shim		TH=0,2mm
	20523556	X	Shim		TH=0,3mm
	20523557	X	Shim		TH=0,5mm
13	20898603	6	Connecting rod, classified		Bushing included in connecting rod.
14	8131198	24	• Flange screw		
15	20586602	6	Big-end bearing kit		Std
	20586603	6	Big-end bearing kit		O.S=0,25mm
	20586604	6	Big-end bearing kit		O.S=0.50mm
	(20586605)	6	Big-end bearing kit		Obsolete part, O.S=0,75mm
	20586606	6	Big-end bearing kit		O.S=1,00mm
	(20586607)	6	Big-end bearing kit		Obsolete part, O.S=1,25mm
16			Flywheel	9858	
17	20711957	1	• Ring gear		
18	3155075	12	Flange screw		
19	21344746	2	Screw		
20	20801971	1	Gear		Pin included in gear
21	984127	1	O-ring		
22	20777233	1	Cover		
23	21054681	1	• Cover		
24	85108423	1	• Crankshaft seal		(1549398)
25	946671	8	Flange screw		
26			Pulley	9994	
27	3840302	1	Adapter		
28	3889367	1	Vibration damper		
29	965229	12	Flange screw		
30	3589305	1	Shaft		
31	982050	12	Flange screw		
32	3829173	1	Pulley		
33	981791	12	Flange screw		
34	1161277	X	Sealant		20g