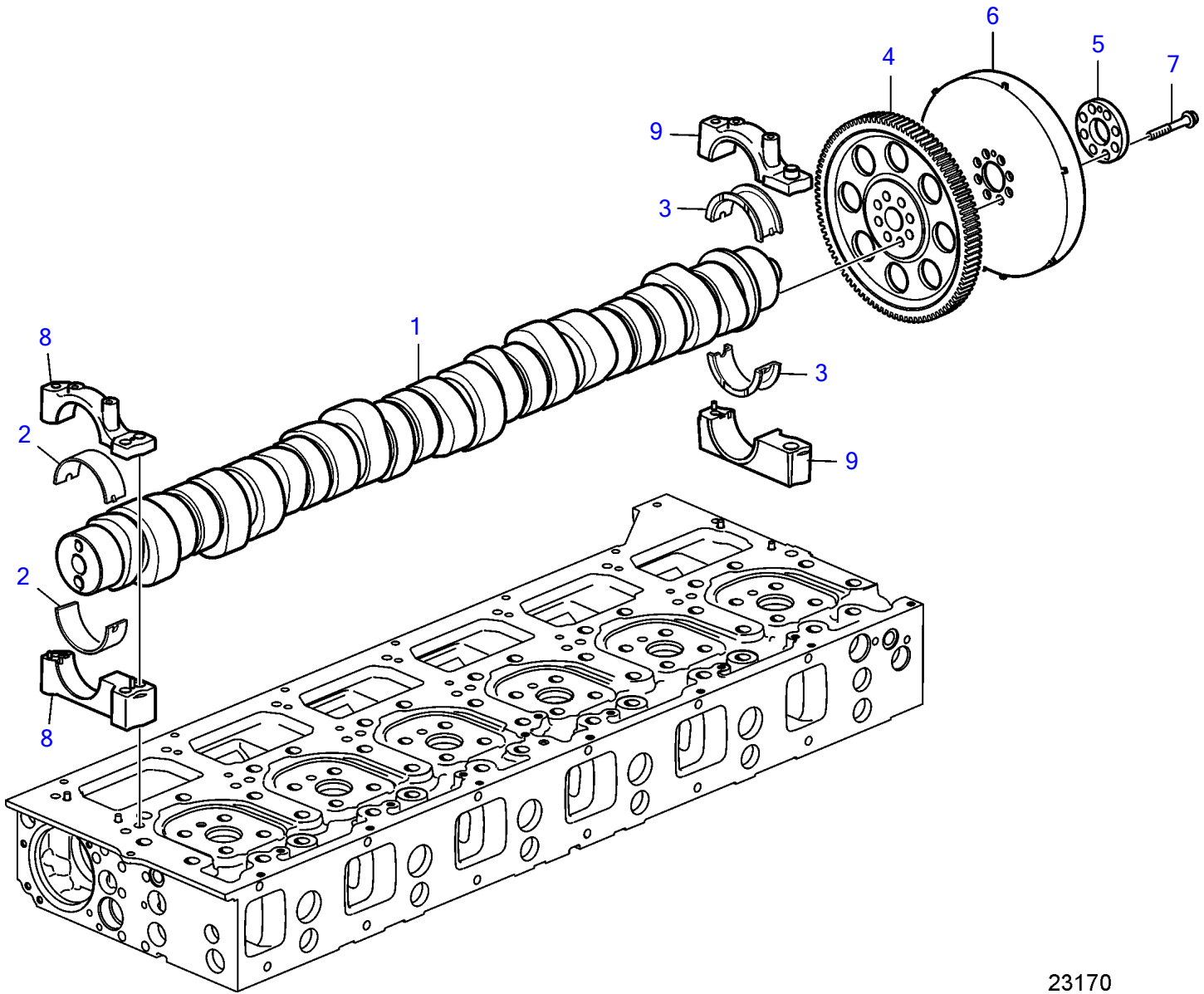


D16C-A MH, D16C-B MH, D16C-C MH



23170

D16C-A MH, D16C-B MH, D16C-C MH

REF	PART NO.	QTY	DESCRIPTION	SEE SEC.	NOTES
1	20894565	1	Camshaft		
2	21006103	6	Camshaft bearing kit		Std
3	20756108	1	Camshaft bearing kit		Std
4			Gear	9858	Pin included in gear
5	20878608	1	Spacer		
6	20888623	1	Vibration damper		Replaced by 21473105
	21473105	1	Vibration damper		
7	8192804	8	Screw		
8	20946876	6	Bearing housing		When replacing one or more bearing houses the first time, all of the bearing houses must be replaced. Then each bearing house can be replaced separat
9	20946882	1	Bearing housing		When replacing one or more bearing houses the first time, all of the bearing houses must be replaced. Then each bearing house can be replaced separat

7746510-21-9861

23170

Upd:2012-01-20

D16C-A MH, D16C-B MH, D16C-C MH