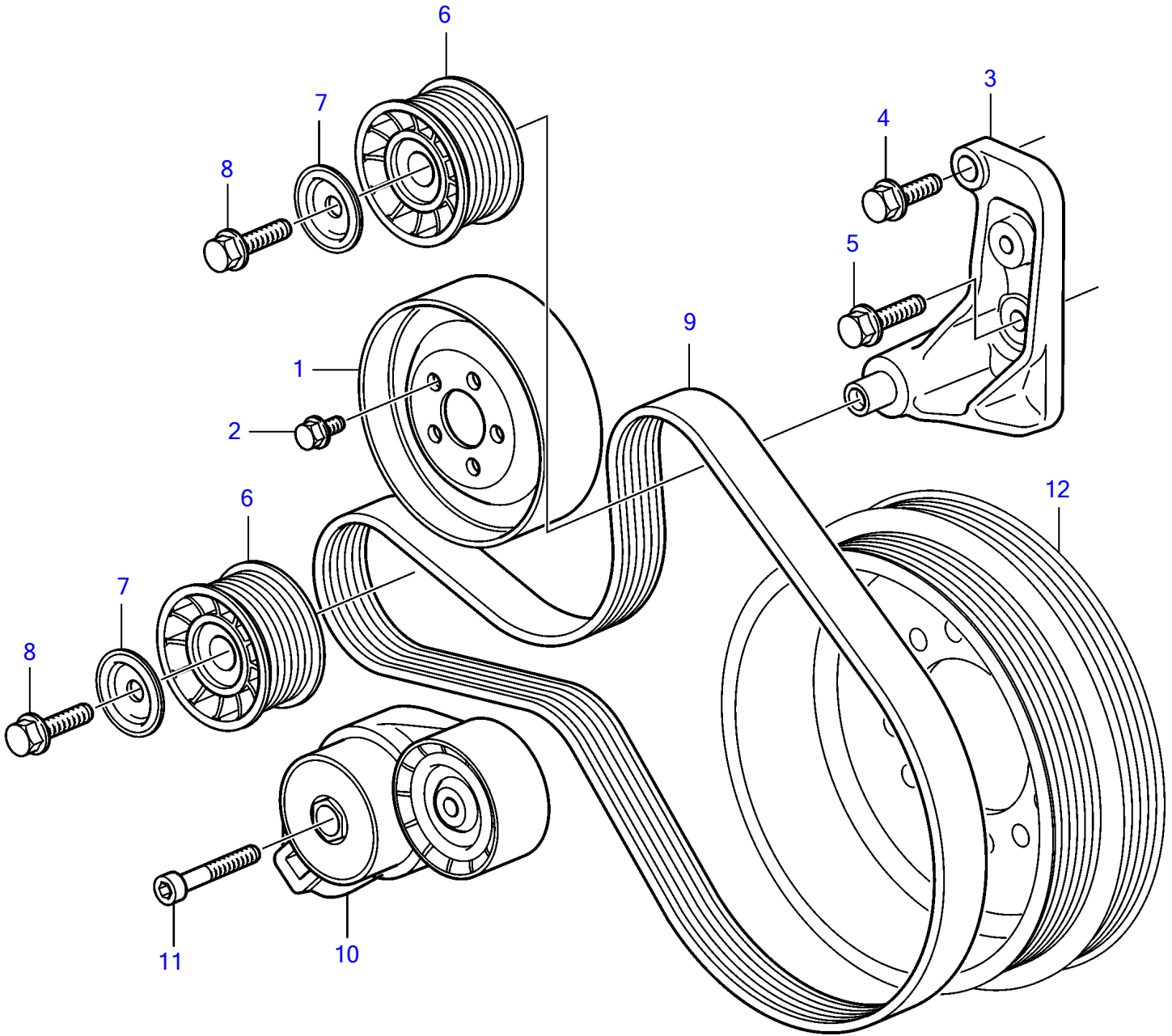


D16C-A MH, D16C-B MH, D16C-C MH



23315

D16C-A MH, D16C-B MH, D16C-C MH

REF	PART NO.	QTY	DESCRIPTION	NOTES
1	20538853	1	Pulley	
2	947107	5	Flange screw	
3	3812765	1	Bracket	
4	946472	1	Flange screw	
5	946441	1	Flange screw	
6	20851842	2	Idler pulley	
7	8097084	2	Cover	
8	946441	2	Flange screw	
9	3884488	1	V-ribbed belt	
10	20487079	1	Belt tensioner	
11	(959247)	1	Hex. socket screw	Obsolete part
12	3837486	1	Pulley, crankshaft	