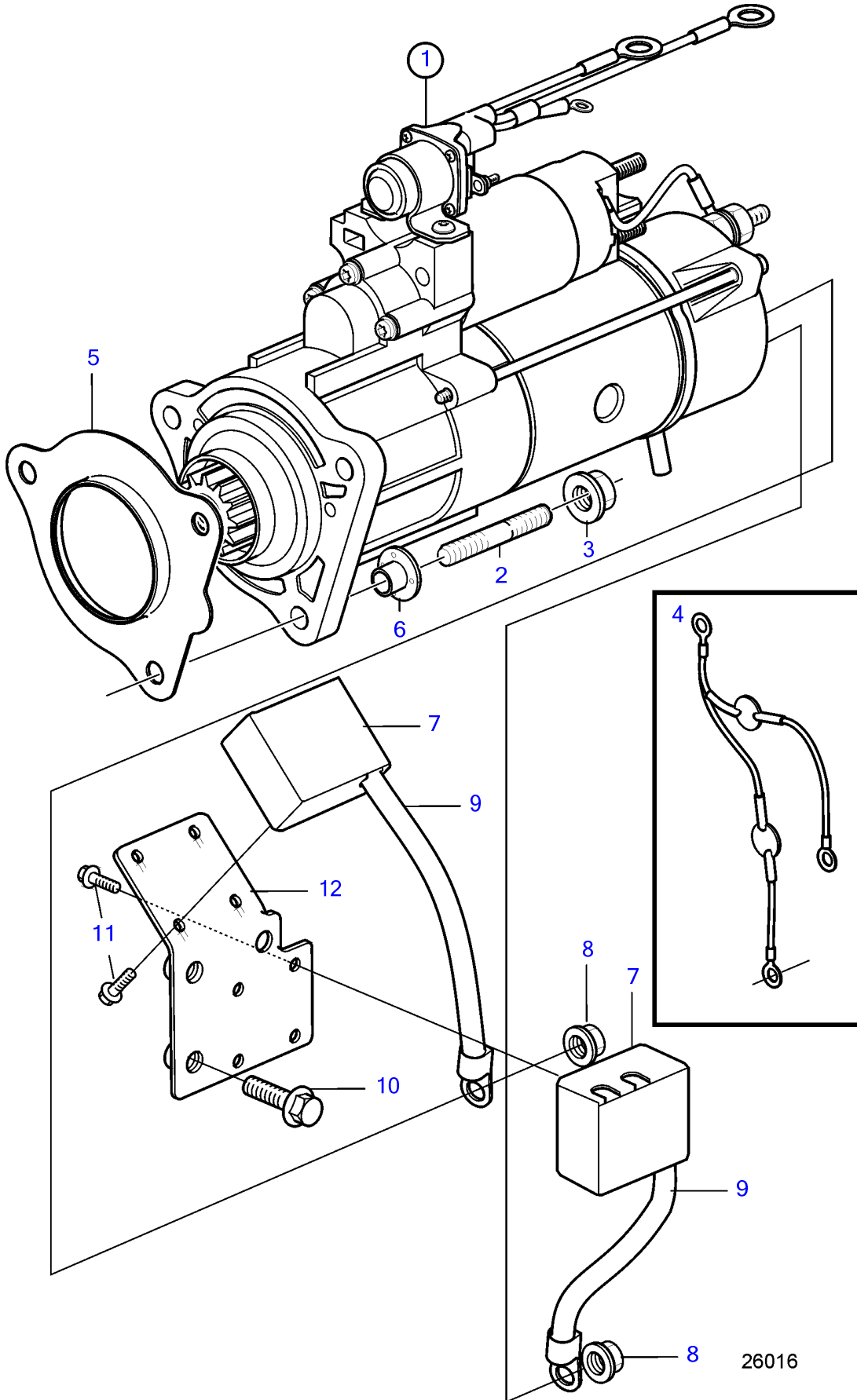


D16C-A MH, D16C-B MH, D16C-C MH



**D16C-A MH, D16C-B MH, D16C-C MH**

REF	PART NO.	QTY	DESCRIPTION	SEE SEC.	NOTES
1	3803838	1	Starter motor, exch		Replaced by starter motor 3801289
	3801289	1	Starter motor, exch		Replaced by 21103722
	21103722	1	Starter motor		
			.	7746	
	3801289	1	Starter motor, exch, exch		
			.	7746	
2	953098	3	Stud		
3	971096	3	Flange nut		
4	21546674	1	Cable kit		
5	3888763	1	Gasket		
6	21308514	3	Insulating bushing		
7	3885093	2	Junction box		
8	983717	2	Hexagon nut		
9	21100733	2	Cable kit		
10	968435	3	Flange screw		
11	946440	8	Flange screw		
12		1	Bracket		