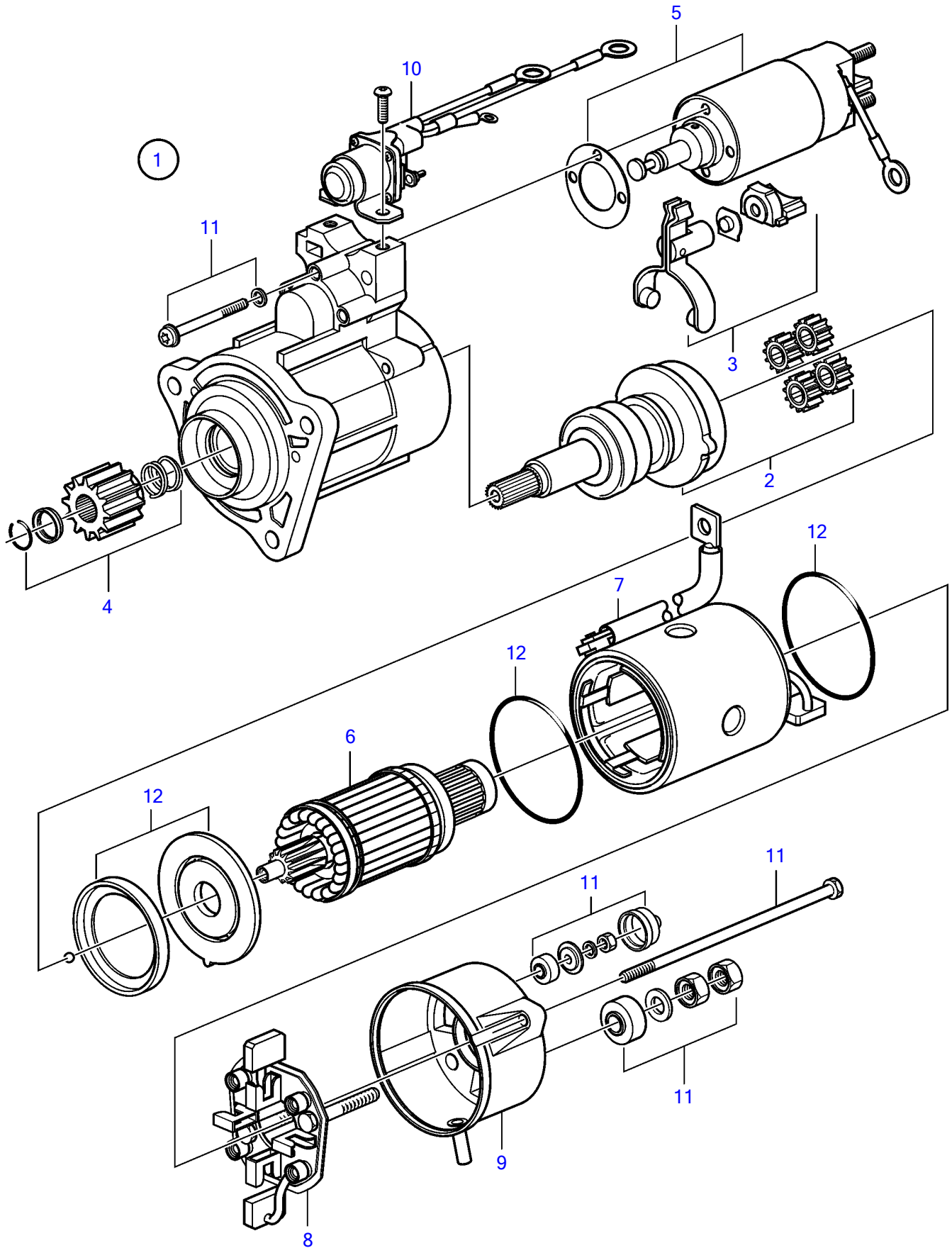


D16C-A MH, D16C-B MH, D16C-C MH



D16C-A MH, D16C-B MH, D16C-C MH

REF	PART NO.	QTY	DESCRIPTION	NOTES
1	3803838	1	Starter motor, exch	Replaced by starter motor 3801289
	3801289	1	Starter motor, exch	
2		1	• Shaft	
3		1	• Lever	
4	874738	1	• Starter pinion	
5	874745	1	• Solenoid	
6		1	• Rotor	
7		1	• Stator	
8	874741	1	• Carbon brush retaine	
9		1	• Bearing shield	
10	874743	1	• Starter relay	
11	874747	1	• Screw kit	
12	874746	1	• Gasket kit	