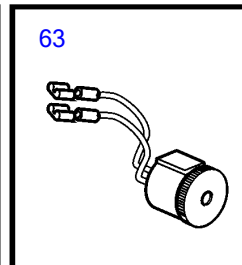
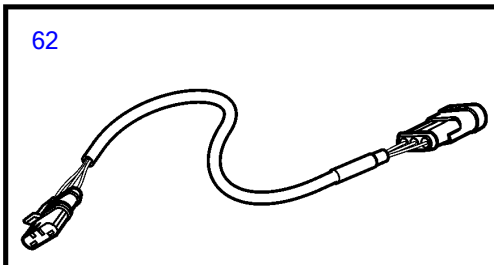
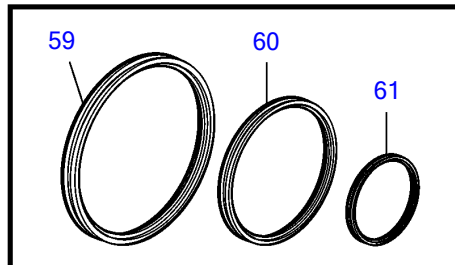
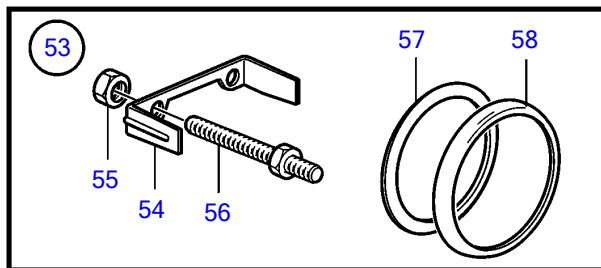
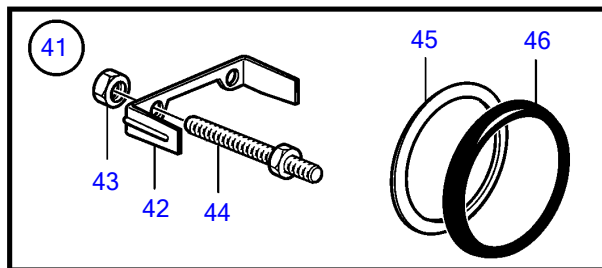
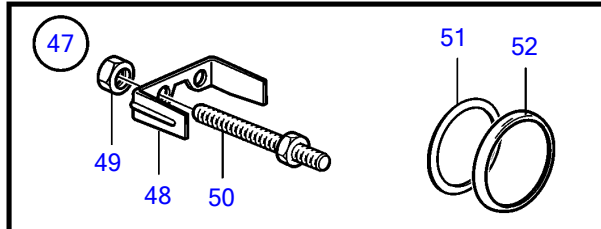
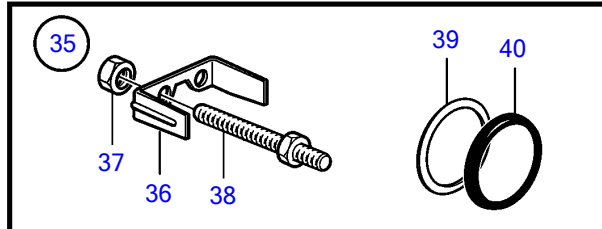
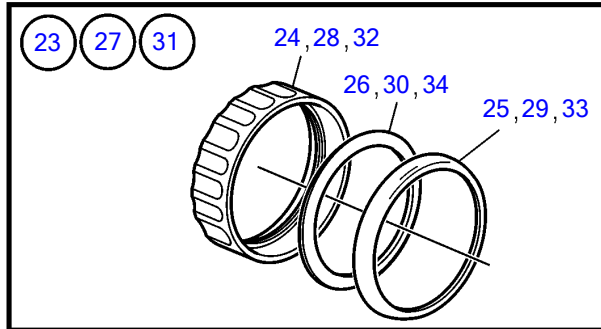
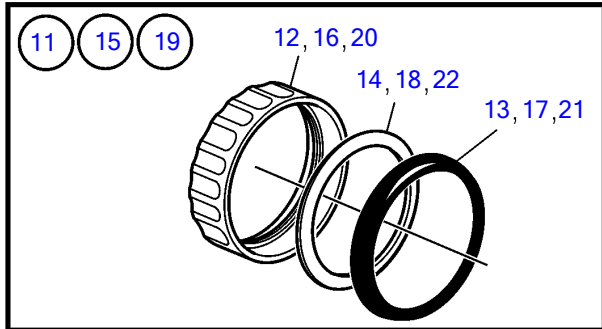
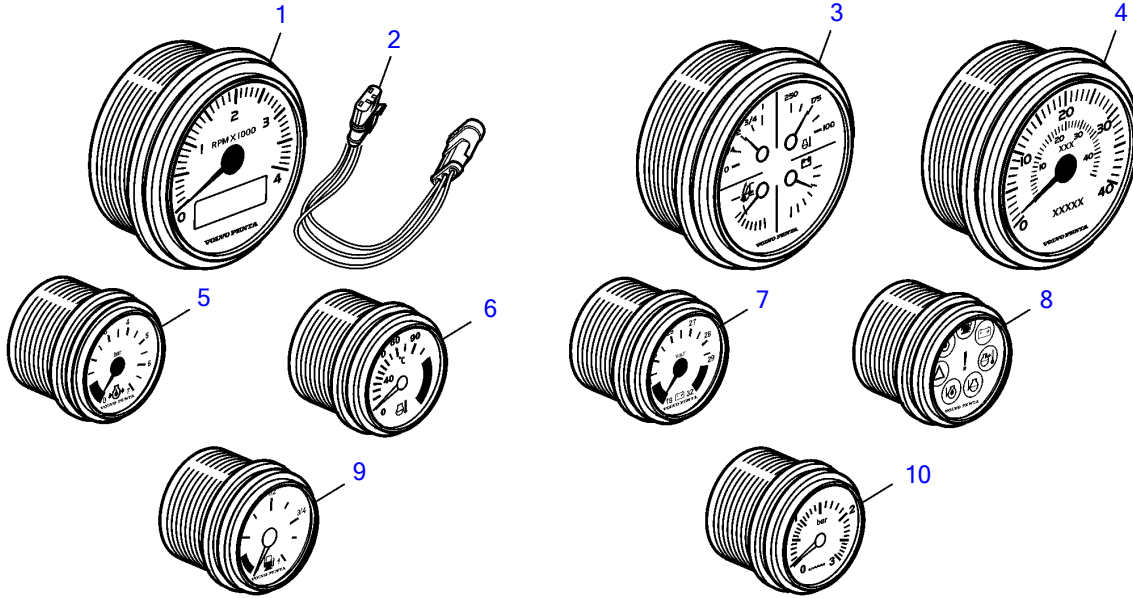


D16C-A MH



D16C-A MH

REF	PART NO.	QTY	DESCRIPTION	SEE SEC.	NOTES
1	3847834	1	Tachometer kit		White, 4000rpm, D=110mm
			• Bulletin P-36-9-3	P-36-9-3-EN	New products in the EVC family
1	3847831	1	Tachometer kit		Black, 4000rpm, D=110mm
			• Bulletin P-36-9-3	P-36-9-3-EN	New products in the EVC family
1	3885694	1	Tachometer		Black, 4000rpm
	3885695	1	Tachometer		White, 4000rpm
	21234542	1	Tachometer kit		White, 4000rpm, Cable included, D=110mm
	21234543	1	Tachometer kit		Black, 4000rpm, Cable included, D=110mm
2	3884843	1	• Wiring harness		
3	3885214	1	Instrument		Four in one gauge (oil pressure, coolant temp, fuel level, volt meter), White, D=110mm
			• Bulletin P-36-9-3	P-36-9-3-EN	New products in the EVC family
3	3847876	1	Instrument		Four in one gauge (oil pressure, coolant temp, fuel level, volt meter), D=110mm, Black
			• Bulletin P-36-9-3	P-36-9-3-EN	New products in the EVC family
4	874930	1	Speedometer		White 0-40 Knots, 0-40 mph
	874917	1	Speedometer		Black 0-40 knots, 0-40 mph
	881650	1	Speedometer		White 0-60 Knots, 0-60 mph
	881645	1	Speedometer		Black 0-60 knots, 0-60 mph
	3807508	1	Speedometer		Black, 0-40 mph
	3807510	1	Speedometer		Black, 0-60 mph
	(3807512)	1	Speedometer		Obsolete part, White, 0-40 mph
	3807513	1	Speedometer		White, 0-60 mph
	3595249	1	Speedometer		Unit neutral, White, D=110mm, 0-40
			• Bulletin P-36-9-3	P-36-9-3-EN	New products in the EVC family
4	3595253	1	Speedometer		Unit neutral, White, D=110mm, 0-60
			• Bulletin P-36-9-3	P-36-9-3-EN	New products in the EVC family
4	3595246	1	Speedometer		Unit neutral, Black, D=110mm, 0-40
			• Bulletin P-36-9-3	P-36-9-3-EN	New products in the EVC family
4	3595250	1	Speedometer		Unit neutral, Black, D=110mm, 0-60
			• Bulletin P-36-9-3	P-36-9-3-EN	New products in the EVC family
5	874908	1	Oil pressure gauge		Black 0-7 bar
	874919	1	Oil pressure gauge		Black 0-100 psi
	874923	1	Oil pressure gauge		White 0-7 bar
	874932	1	Oil pressure gauge		White 0-100 psi
6	874904	1	Thermometer, coolant water		Black 0-120°C
	874921	1	Thermometer, coolant water		White 0-120°C
	874918	1	Thermometer, coolant water		Black 40-250 °F
	874931	1	Thermometer, coolant water		White 40-250 °F
	881857	1	Thermometer, oil		Black 40-300 °F
	881858	1	Thermometer, oil		White 40-300 °F
7	881649	1	Voltmeter		12V, black
	881658	1	Voltmeter		12V, white
	874913	1	Voltmeter		24V, black
	874925	1	Voltmeter		24V, white
8	874915	1	Instrument, alarm		Black D=52mm
	874927	1	Instrument, alarm		White D=52mm
9	874914	1	Fuel gauge		Black D=52mm
	874926	1	Fuel gauge		White D=52mm
10	874920	1	Turbo pressure gauge		Black 0-45 psi
	874924	1	Turbo pressure gauge		White 0-3 bar
	874933	1	Turbo pressure gauge		White 0-45 psi
11	874709	1	Mounting kit		Black D=52mm
12	874450	1	• Attaching ring		
13	874448	1	• Ring		
14	874707	1	• Gasket		
15	874708	1	Mounting kit		Black D=85mm
16	874449	1	• Attaching ring		
17	874447	1	• Ring		
18	874706	1	• Gasket		
19	3847888	1	Mounting kit		Black D=110mm
			• Bulletin P-36-9-3	P-36-9-3-EN	New products in the EVC family
20	3884098	1	• Attaching ring		

D16C-A MH

REF	PART NO.	QTY	DESCRIPTION	SEE SEC.	NOTES
21	3847887	1	• Ring		
22	3884103	1	• Gasket		
23	874733	1	Mounting kit		Chrome D=52mm
24	874450	1	• Attaching ring		
25	874731	1	• Ring		
26	874707	1	• Gasket		
27	874732	1	Mounting kit		Chrome D=85mm
28	874449	1	• Attaching ring		
29	874730	1	• Ring		
30	874706	1	• Gasket		
31	3885216	1	Mounting kit		Chrome D=110mm
			• Bulletin P-36-9-3	P-36-9-3-EN	New products in the EVC family
32	3884098	1	• Attaching ring		
33	3884096	1	• Ring		
34	3884103	1	• Gasket		
35	881611	1	Brace kit		Black D=52mm
36	881607	1	• Brace		
37	881610	2	• Nut		
38	881609	2	• Stud		
39	874707	1	• Gasket		
40	874448	1	• Ring		
41	881612	1	Brace kit		Black D=85mm
42	881608	1	• Brace		
43	881610	2	• Nut		
44	881609	2	• Stud		
45	874706	1	• Gasket		
46	874447	1	• Ring		
47	881613	1	Brace kit		Chrome D=52mm
48	881607	1	• Brace		
49	881610	2	• Nut		
50	881609	2	• Stud		
51	874707	1	• Gasket		
52	874731	1	• Ring		
53	881614	1	Brace kit		Chrome D=85mm
54	881608	1	• Brace		
55	881610	2	• Nut		
56	881609	2	• Stud		
57	874706	1	• Gasket		
58	874730	1	• Ring		
59	3886791	1	X-ring		D=110mm
			• Bulletin P-36-9-3	P-36-9-3-EN	New products in the EVC family
60	874844	1	X-ring		D=85mm
61	874843	1	X-ring		D=52mm
62	874759	1	Extension cable'verl		L=1000mm
	3807043	1	Extension cable'verl		L=3000mm
63	3817974	1	Alarm		