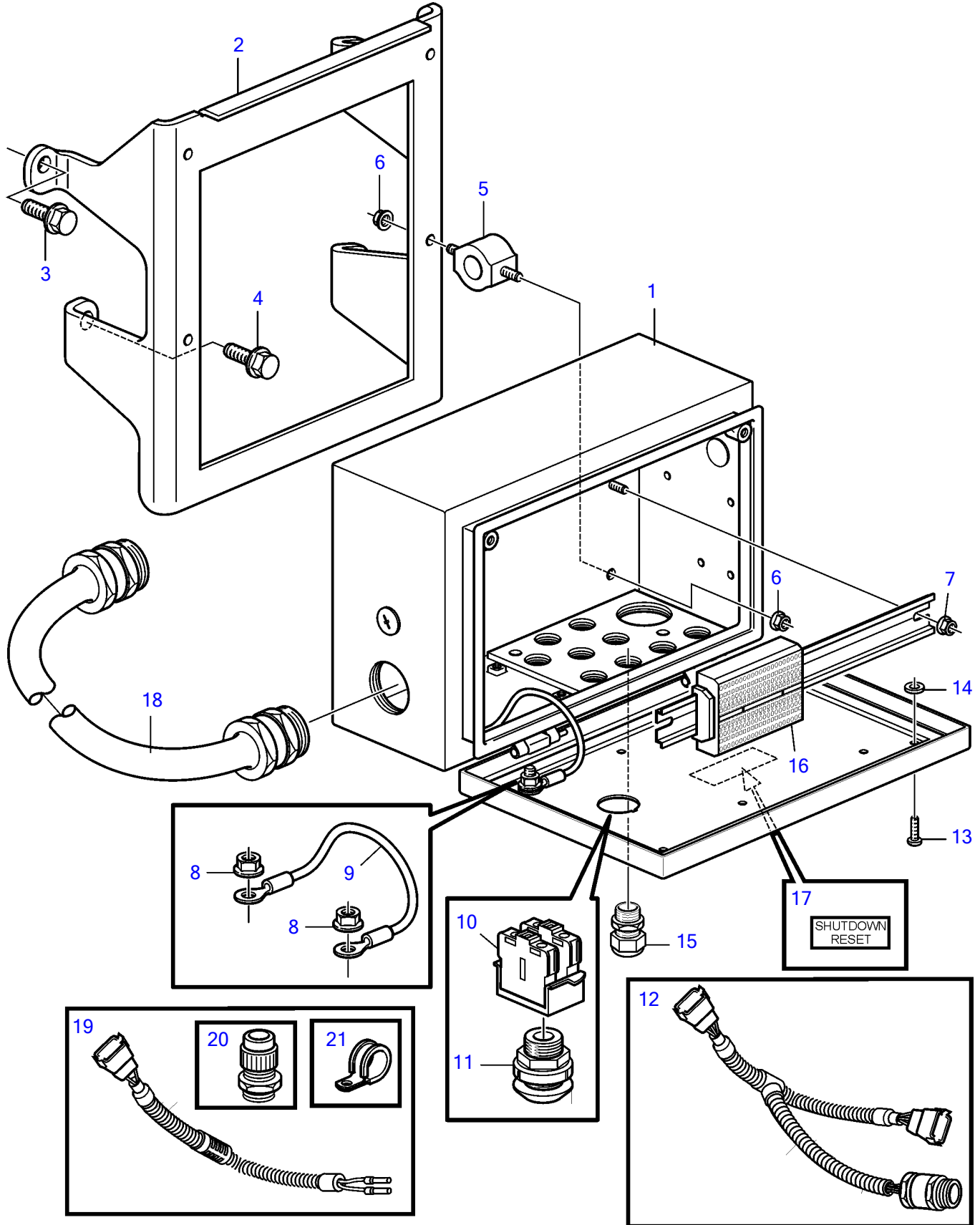


D16C-A MH



D16C-A MH

| REF | PART NO. | QTY | DESCRIPTION | NOTES |
|-----|----------|-----|----------------------|----------------------------|
| 1 | 3841323 | 1 | Electrical distribut | |
| 2 | | 1 | Bracket | |
| 3 | 946329 | 1 | Flange screw | |
| 4 | 946817 | 3 | Flange screw | |
| 5 | 3839156 | 4 | Rubber cushion | |
| 6 | 945407 | 8 | Flange nut | |
| 7 | 965483 | 2 | Flange nut | |
| 8 | 945408 | 2 | Flange nut | |
| 9 | | 1 | Ground cable | |
| 10 | 3817574 | 1 | Contact unit | |
| 11 | 3817578 | 1 | Push button | |
| 12 | 881630 | 1 | Cable kit | |
| 13 | | 2 | Screw | M6x22 |
| 14 | | 2 | Washer | Washer with rubber gasket. |
| 15 | 3883134 | 7 | Cable union | |
| 16 | 21256571 | 1 | Terminal block | |
| 17 | 3586456 | 1 | Label | |
| 18 | 3818484 | 1 | Wiring harness | |
| 19 | 21221977 | 1 | Wiring harness | Backup power |
| 20 | 3847827 | 1 | Cable union | |
| 21 | 949747 | 1 | Clamp | |