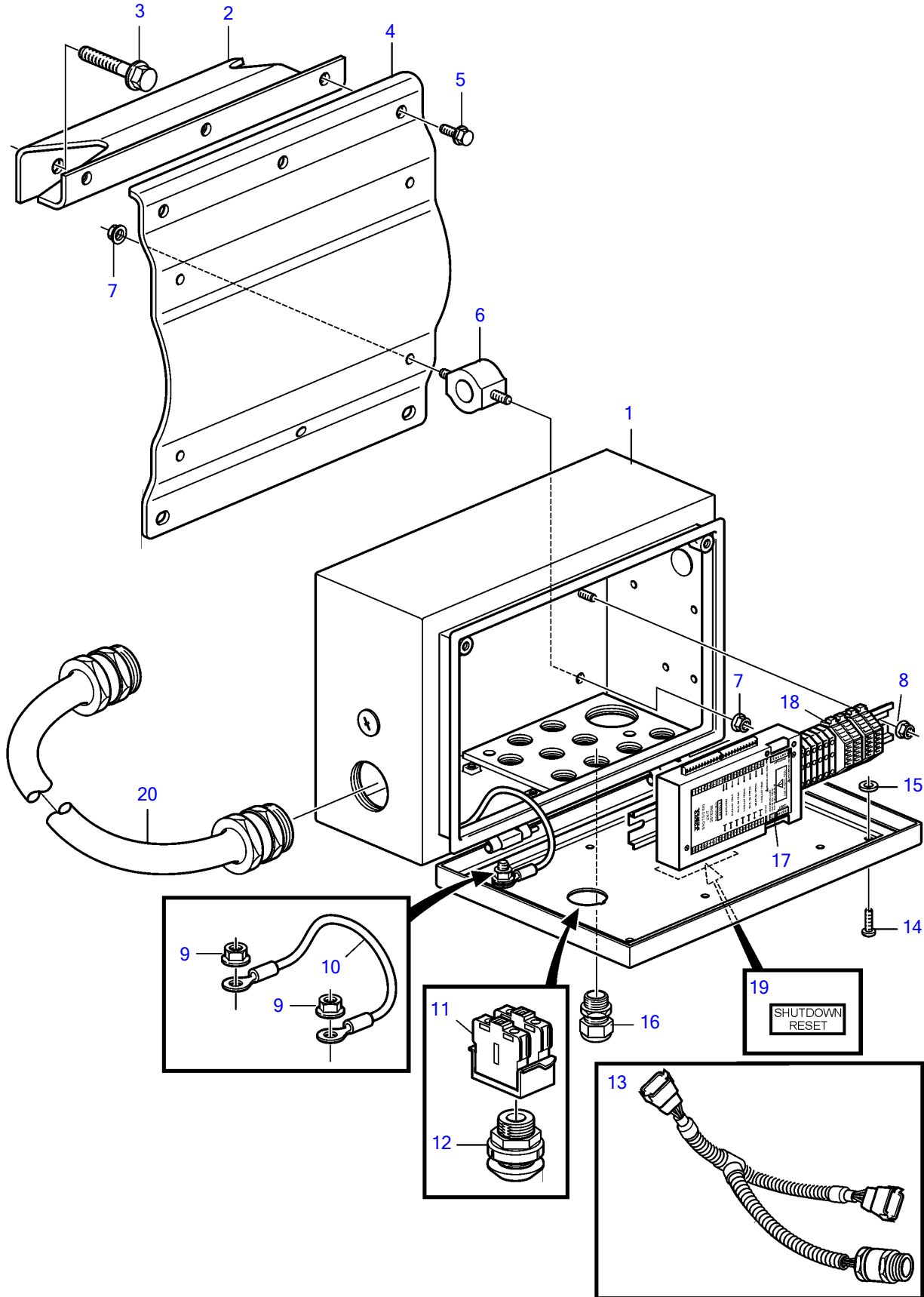


D16C-A MH



D16C-A MH

REF	PART NO.	QTY	DESCRIPTION	SEE SEC.	NOTES
1	3841323	1	Electrical distribut		
2	3840193	1	Bracket		
3	948039	2	Flange screw		
4	3884400	1	Bracket		
5	946173	5	Flange screw		
6	3839156	4	Rubber cushion		
7	945407	8	Flange nut		
8	965483	2	Flange nut		
9	945408	2	Flange nut		
10	970624	1	Electric cable		
11	3817574	1	Contact unit		
12	3817578	1	Push button		
13	881630	1	Cable kit		
14		2	Screw		M6x22
15		2	Washer		Washer with rubber gasket.
16	3883134	7	Cable union		
17	3819845	1	Electronic unit • Bulletin P-28-4-4	P-28-4-4-EN	Software Handling Procedures
18	888003	1	Terminal block		
19	3586456	1	Label		
20	3818484	1	Wiring harness		