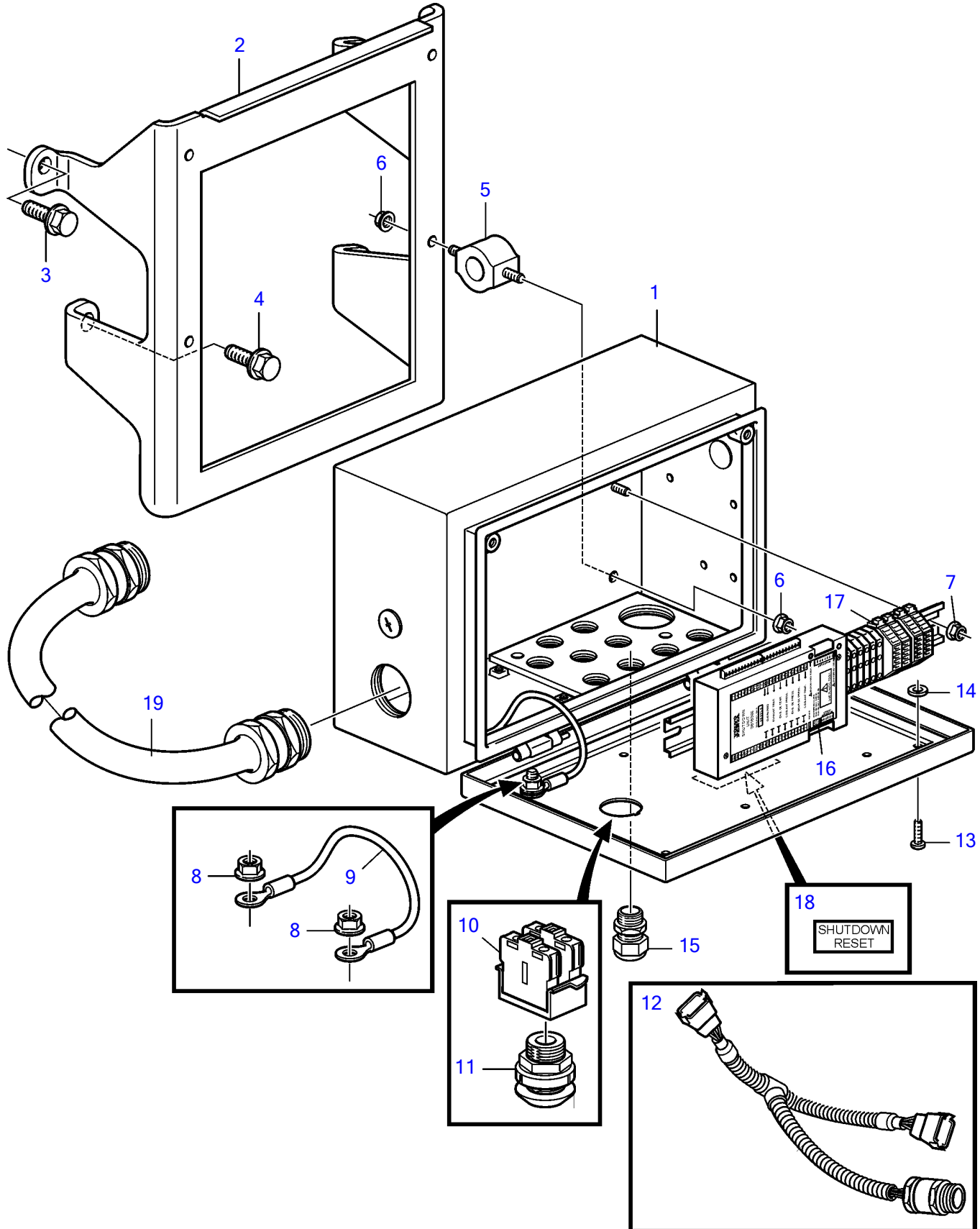


D16C-A MH



D16C-A MH

REF	PART NO.	QTY	DESCRIPTION	SEE SEC.	NOTES
1	3841323	1	Electrical distribut		
2		1	Bracket		
3	946329	1	Flange screw		
4	946817	3	Flange screw		
5	3839156	4	Rubber cushion		
6	945407	8	Flange nut		
7	965483	2	Flange nut		
8	945408	2	Flange nut		
9	970624	1	Electric cable		
10	3817574	1	Contact unit		
11	3817578	1	Push button		
12	881630	1	Cable kit		
13		2	Screw		M6x22
14		2	Washer		Washer with rubber gasket.
15	3883134	7	Cable union		
16	3819845	1	Electronic unit		
			• Bulletin P-28-4-4	P-28-4-4-EN	Software Handling Procedures
17	888003	1	Terminal block		
18	3586456	1	Label		
19	3818484	1	Wiring harness		