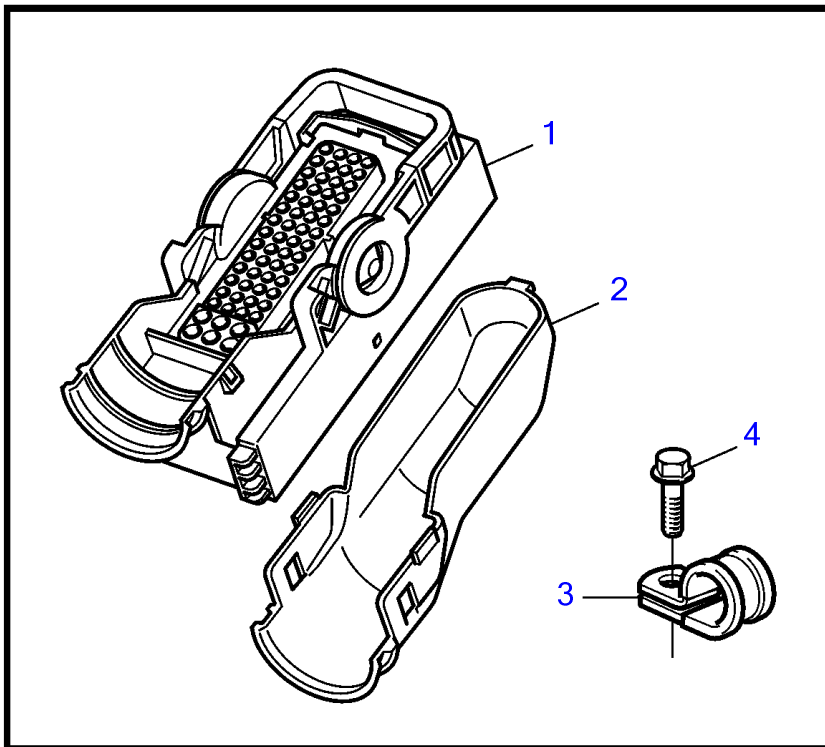
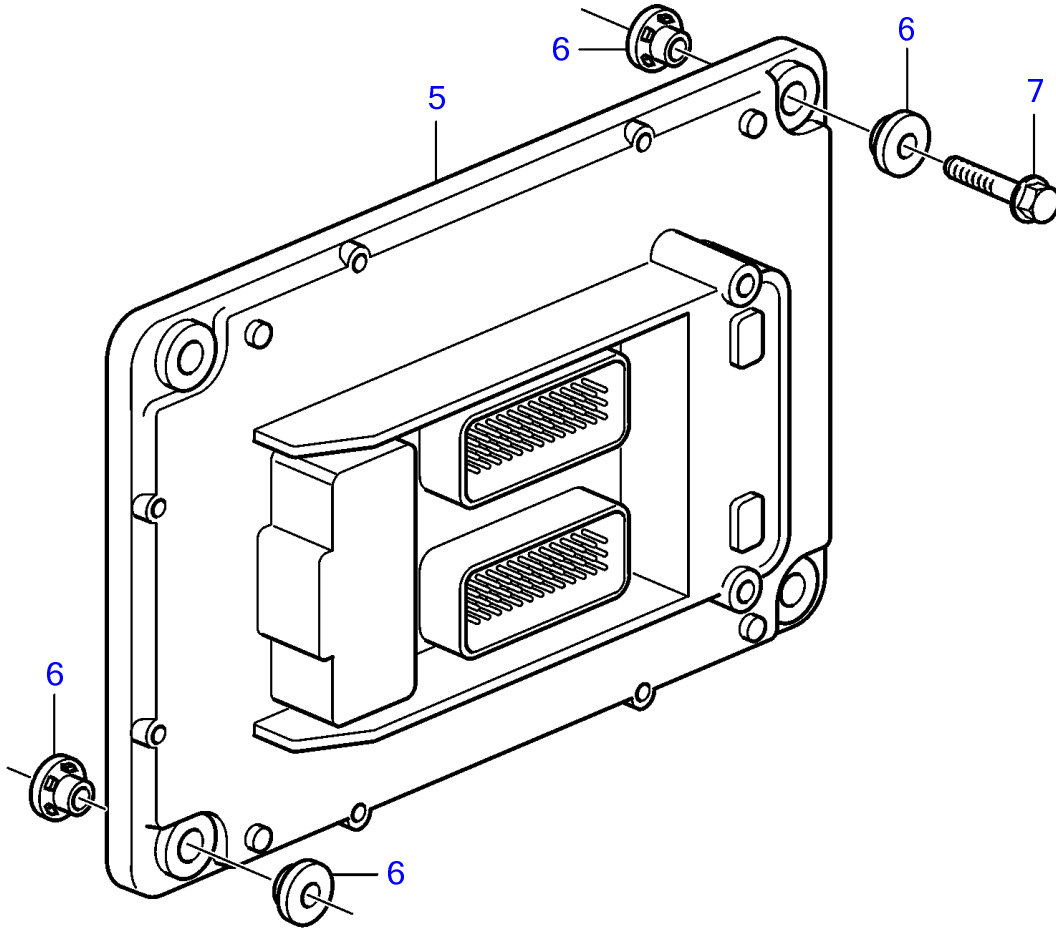


D16C-A MH, D16C-B MH, D16C-C MH



D16C-A MH, D16C-B MH, D16C-C MH

REF	PART NO.	QTY	DESCRIPTION	NOTES
1	20429842	1	Housing	Black
	20429843	1	Housing	Gray
2	20429844	1	Adapter	
3	949997	2	Clamp	
4	946173	2	Flange screw	
5	20814594	1	Control unit, not programmed	
	3586269	1	Software	Warehouse programming. This p/n can not be ordered, but will be used for invoicing.
	3586268	1	Software	Vodia-programming. This p/n can not be ordered, but will be used for invoicing.
6	3095161	4	• Rubber cushion	
7	947760	4	Flange screw	