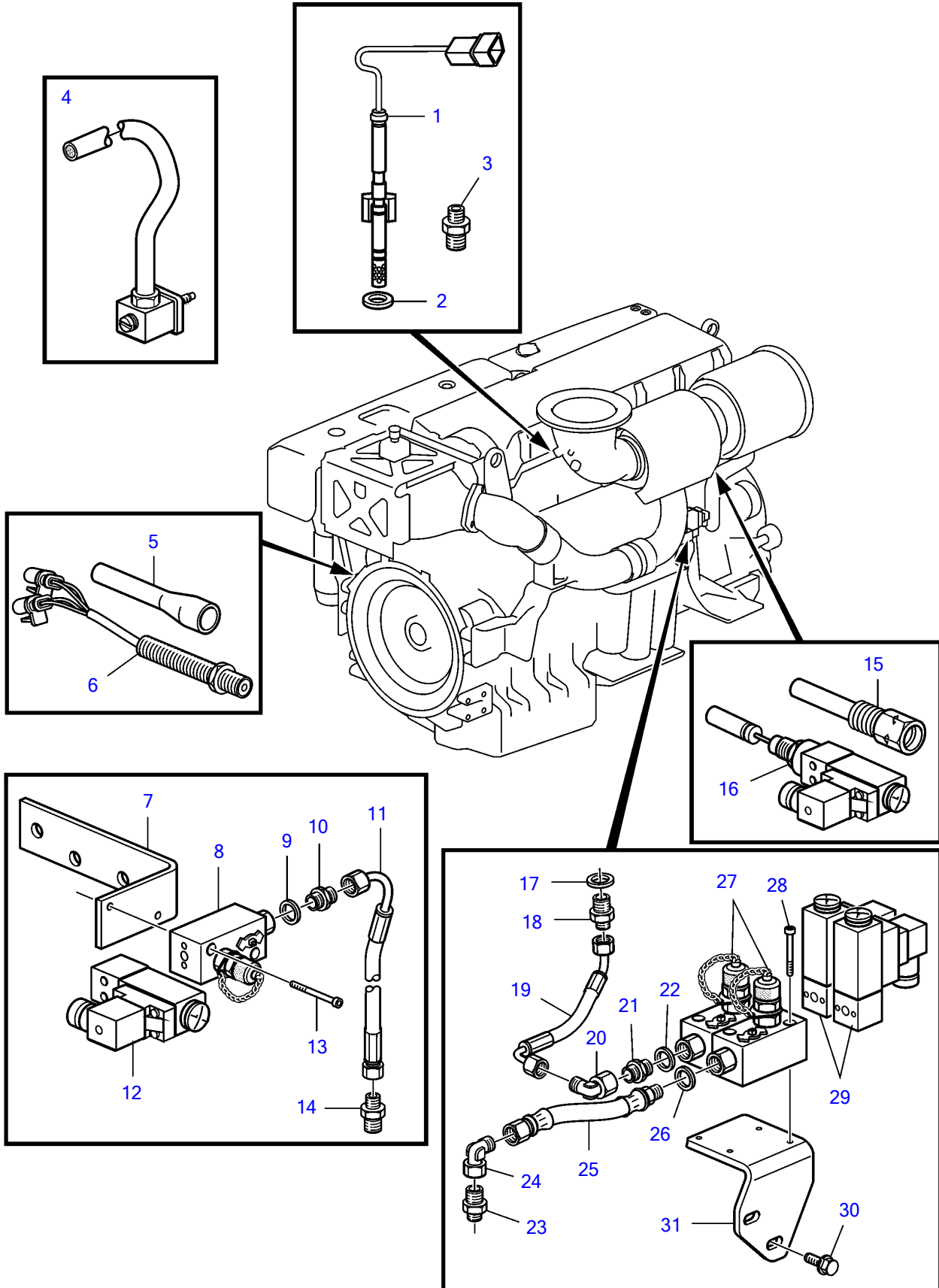


D16C-A MH



D16C-A MH

REF	PART NO.	QTY	DESCRIPTION	NOTES
1	874330	1	Temperature sensor, exhaust temp	
2	947626	1	Gasket	
3	874318	1	Fitting	
4	3588563	1	Wiring harness	
5	3819906	1	End sleeve	
6	3589140	1	Tachometer sensor	
7	3832972	1	Bracket	For reverse gear
8	3831442	1	Block	For reverse gear
9	18817	1	Gasket	For reverse gear
10	957030	1	Nipple	For reverse gear
11	3835380	1	Hose	For reverse gear
12	881871	1	Pressure monitor	For reverse gear
13	947671	2	Hex. socket screw	For reverse gear
14	977677	1	Nipple	For reverse gear
15	873715	1	Sleeve	
16	881869	1	Thermo monitor, coolant water	
17	11998	1	Gasket	
18	991057	1	Nipple	
19	3819765	1	Water hose	
20	(945357)	1	Elbow nipple	Obsolete part
21	944524	1	Nipple	
22	18817	1	Gasket	
23	991057	1	Nipple	
24	(945357)	1	Elbow nipple	Obsolete part
25	3588966	1	Oil hose	
26	11998	1	Gasket	
27	3831442	2	Block	
28	947671	4	Hex. socket screw	
29	881871	2	Pressure monitor	
30	946440	1	Flange screw	
31		1	Bracket	