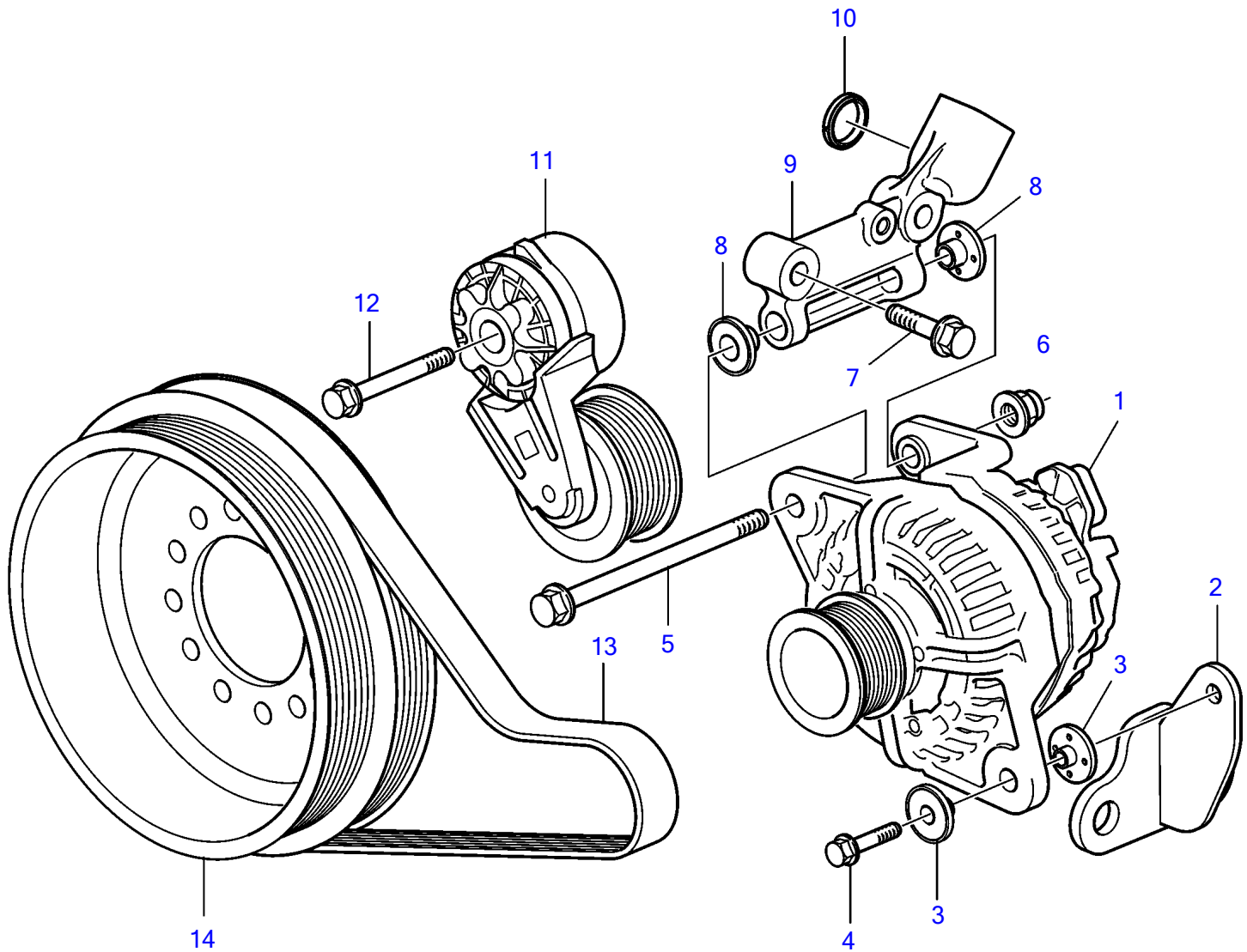


D16C-A MH, D16C-B MH, D16C-C MH



23321

D16C-A MH, D16C-B MH, D16C-C MH

| REF | PART NO. | QTY | DESCRIPTION | SEE SEC. | NOTES |
|-----|----------|-----|--------------------|----------|-----------|
| 1 | 3803639 | 1 | Alternator, exch | | 28V, 80A |
| 2 | 3842566 | 1 | Bracket | | |
| 3 | 3589369 | 2 | Insulating bushing | | |
| 4 | 946470 | 1 | Flange screw | | |
| 5 | 965223 | 1 | Flange screw | | |
| 6 | 977938 | 1 | Flange lock nut | | |
| 7 | 965185 | 2 | Flange screw | | |
| 8 | 3589388 | 2 | Insulating bushing | | |
| 9 | 3887406 | 1 | Bracket | | (3588974) |
| 10 | 8192190 | 1 | Sealing ring | | |
| 11 | 20501412 | 1 | Belt tensioner | | |
| 12 | 965223 | 1 | Flange screw | | |
| 13 | 20430373 | 1 | V-ribbed belt | | |
| 14 | | | Pulley | 9858 | |