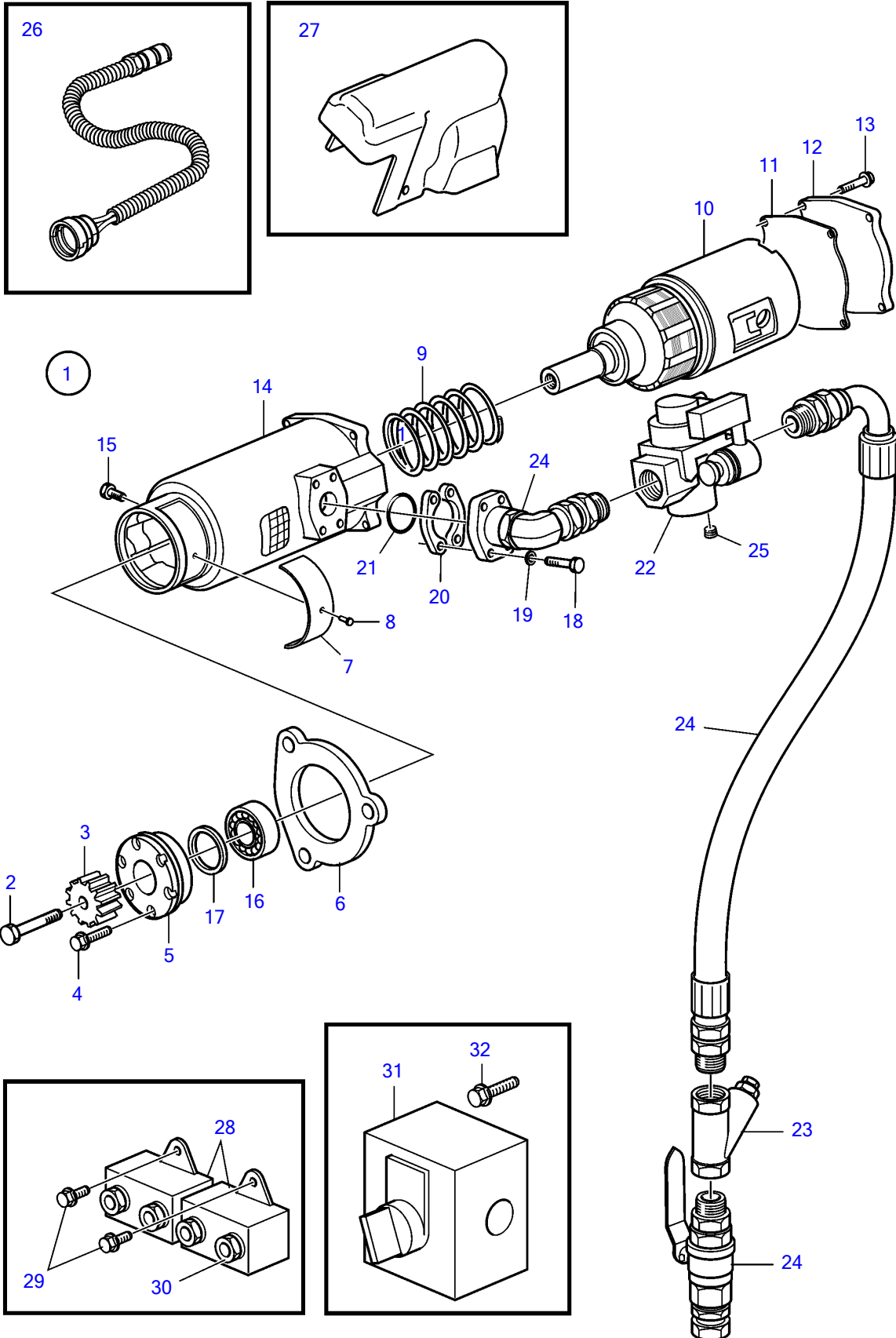


D16C-A MH, D16C-B MH, D16C-C MH



D16C-A MH, D16C-B MH, D16C-C MH

REF	PART NO.	QTY	DESCRIPTION	NOTES
1	3829870	1	Starter motor	
2		1	• Screw	
3	3830007	1	• Starter pinion	
4		6	• Flange screw	
5		1	• Protection	
6		1	• Flange	
7		1	• Type plate	
8		1	• Pin	
9	3830017	1	• Return spring	
10		1	• Rotor	
11		1	• Gasket	
12		1	• Cover	
13		4	• Screw	
14		1	• Housing	
15		1	• Plug	
16	1544092	1	• Ball bearing	(3830024)
17	3830025	1	• Sealing	
18	956585	4	• Hex. socket screw	
19	18665	4	• Gasket	
20		2	• Clutch flange	
21		1	• O-ring	
22	3829869	1	Control valve	
23	3830394	1	Strainer	
24	3829999	1	Hose	
25	952075	1	Plug	
26	3886990	1	Wiring harness	
27	3885232	1	Cover	
28	3886793	2	Junction box	
29	967949	2	Flange screw	
30	983716	4	Hexagon nut	
31	3886798	1	Rotary switch	
32	969514	4	6 point socket screw	