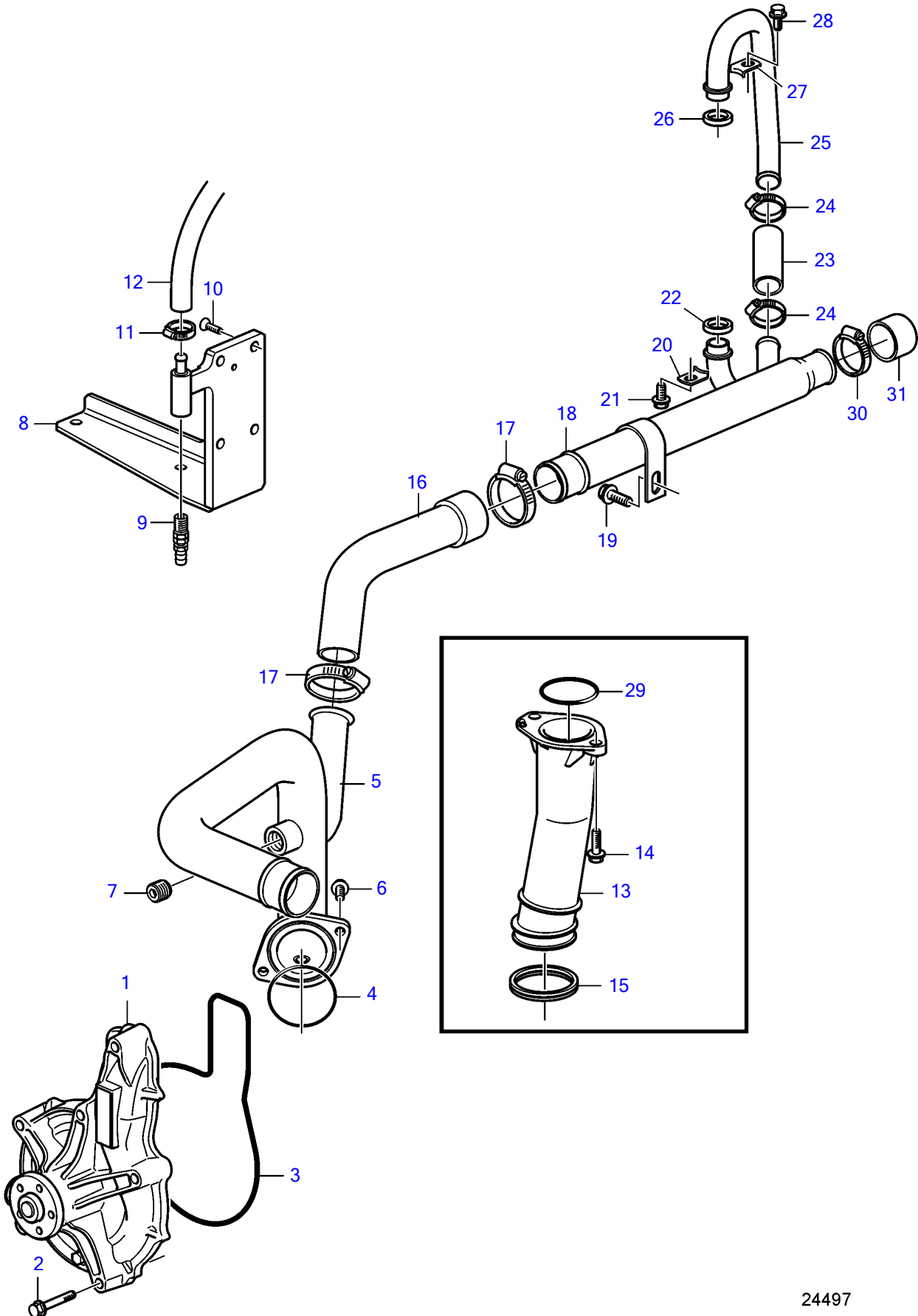


D16C-A MH, D16C-B MH, D16C-C MH



D16C-A MH, D16C-B MH, D16C-C MH

REF	PART NO.	QTY	DESCRIPTION	SEE SEC.	NOTES
1	20744939	1	Pump unit		
	3801102	1	Coolant pump, exch		
2	965216	6	Flange screw		
3	8131097	1	Sealing ring		
4	975675	1	O-ring		
5	3888302	1	Water pipe		
6	946173	2	Flange screw		
7	968146	1	Plug		
8		1	Bracket, air filter	9896	
9	949918	1	Shut-off cock		
10	969842	4	6 point socket screw		
11	961663	1	Hose clamp		
12			Hose	9903	L=750mm
13	20823005	1	Connection pipe		
14	946173	2	Flange screw		
15	20799996	1	Sealing ring		
16	3888297	1	Hose		(3808192)
17	961671	2	Hose clamp		
18	3807119	1	Water pipe		
19	946173	1	Flange screw		
20	1546531	1	Lock brace		
21	944926	1	Flange screw		
22	1547252	1	Sealing ring		
23	3808198	1	Hose		
24	961666	2	Hose clamp		
25	3807254	1	Coolant pipe		
26	1547252	1	Sealing ring		
27	1546531	1	Lock brace		
28	944926	1	Flange screw		
29	20818346	1	Gasket		
30	961670	1	Hose clamp		KC
31	424543		Rubber plug		KC