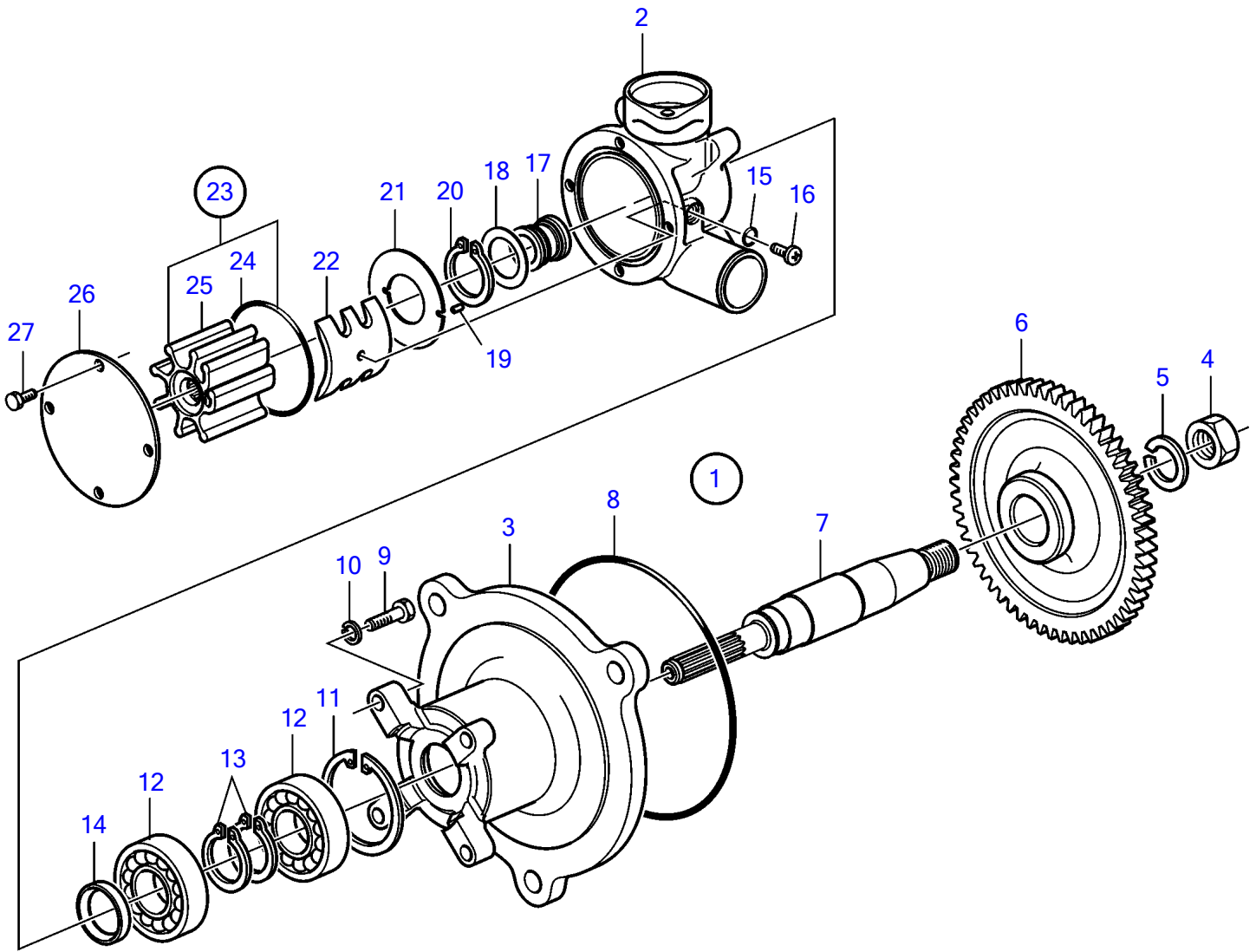


D16C-A MH, D16C-B MH, D16C-C MH



23230

D16C-A MH, D16C-B MH, D16C-C MH

| REF | PART NO. | QTY | DESCRIPTION       | NOTES                |
|-----|----------|-----|-------------------|----------------------|
| 1   | 3589550  | 1   | Water pump        | Replaced by 21167147 |
|     | 21167147 | 1   | Sea water pump    |                      |
| 2   |          | 1   | • Pump housing    |                      |
| 3   |          | 1   | • Bearing housing |                      |
| 4   | 3587886  | 1   | • Hexagon nut     |                      |
| 5   | 941914   | 1   | • Spring washer   | Obsolete part        |
| 6   | 8131848  | 1   | • Gear            |                      |
| 7   |          | 1   | • Shaft           |                      |
| 8   | 948977   | 1   | • O-ring          |                      |
| 9   | 940135   | 4   | • Hexagon screw   |                      |
| 10  | 941907   | 4   | • Spring washer   |                      |
| 11  | 825735   | 1   | • Lock ring       |                      |
| 12  | 11013    | 2   | • Ball bearing    |                      |
| 13  | 847230   | 2   | • Lock ring       |                      |
| 14  | 845795   | 1   | • Sealing ring    |                      |
| 15  | 3583614  | 1   | • O-ring          |                      |
| 16  | 3883927  | 1   | • Screw           |                      |
| 17  | 3883926  | 1   | • Sealing         |                      |
| 18  | 888388   | 1   | • Washer          |                      |
| 19  | 888387   | 1   | • Pin             |                      |
| 20  | 809444   | 1   | • Lock ring       |                      |
| 21  | 807589   | 1   | • Wear washer     |                      |
| 22  | 3883923  | 1   | • Cam             |                      |
| 23  | 3888478  | 1   | • Impeller kit    | Replaced by 21200961 |
|     | 21200961 | 1   | • Impeller kit    |                      |
| 24  | 3587885  | 1   | • • O-ring        |                      |
| 25  |          | 1   | • • Impeller      |                      |
| 26  | 3587879  | 1   | • End cover       |                      |
| 27  | 3583604  | 4   | • Hexagon screw   |                      |

7746510-26-9909

23230

Upd:2012-01-20

D16C-A MH, D16C-B MH, D16C-C MH