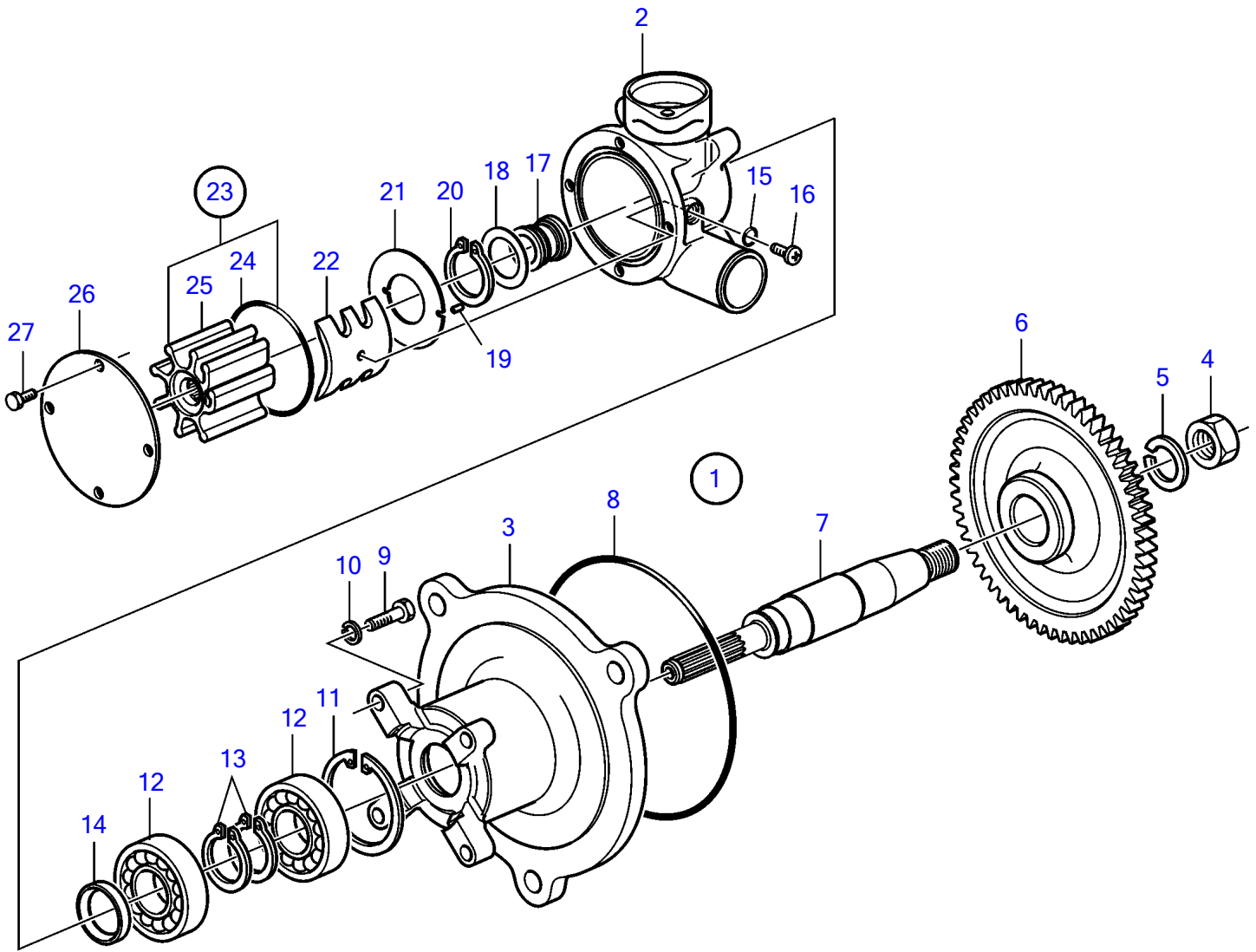


D16C-A MH, D16C-B MH, D16C-C MH



23230

D16C-A MH, D16C-B MH, D16C-C MH

REF	PART NO.	QTY	DESCRIPTION	NOTES
1	3589550	1	Water pump	Replaced by 21167147
	21167147	1	Sea water pump	
2		1	• Pump housing	
3		1	• Bearing housing	
4	3587886	1	• Hexagon nut	
5	941914	1	• Spring washer	Obsolete part
6	8131848	1	• Gear	
7		1	• Shaft	
8	948977	1	• O-ring	
9	940135	4	• Hexagon screw	
10	941907	4	• Spring washer	
11	825735	1	• Lock ring	
12	11013	2	• Ball bearing	
13	847230	2	• Lock ring	
14	845795	1	• Sealing ring	
15	3583614	1	• O-ring	
16	3883927	1	• Screw	
17	3883926	1	• Sealing	
18	888388	1	• Washer	
19	888387	1	• Pin	
20	809444	1	• Lock ring	
21	807589	1	• Wear washer	
22	3883923	1	• Cam	
23	3888478	1	• Impeller kit	Replaced by 21200961
	21200961	1	• Impeller kit	
24	3587885	1	• • O-ring	
25		1	• • Impeller	
26	3587879	1	• End cover	
27	3583604	4	• Hexagon screw	