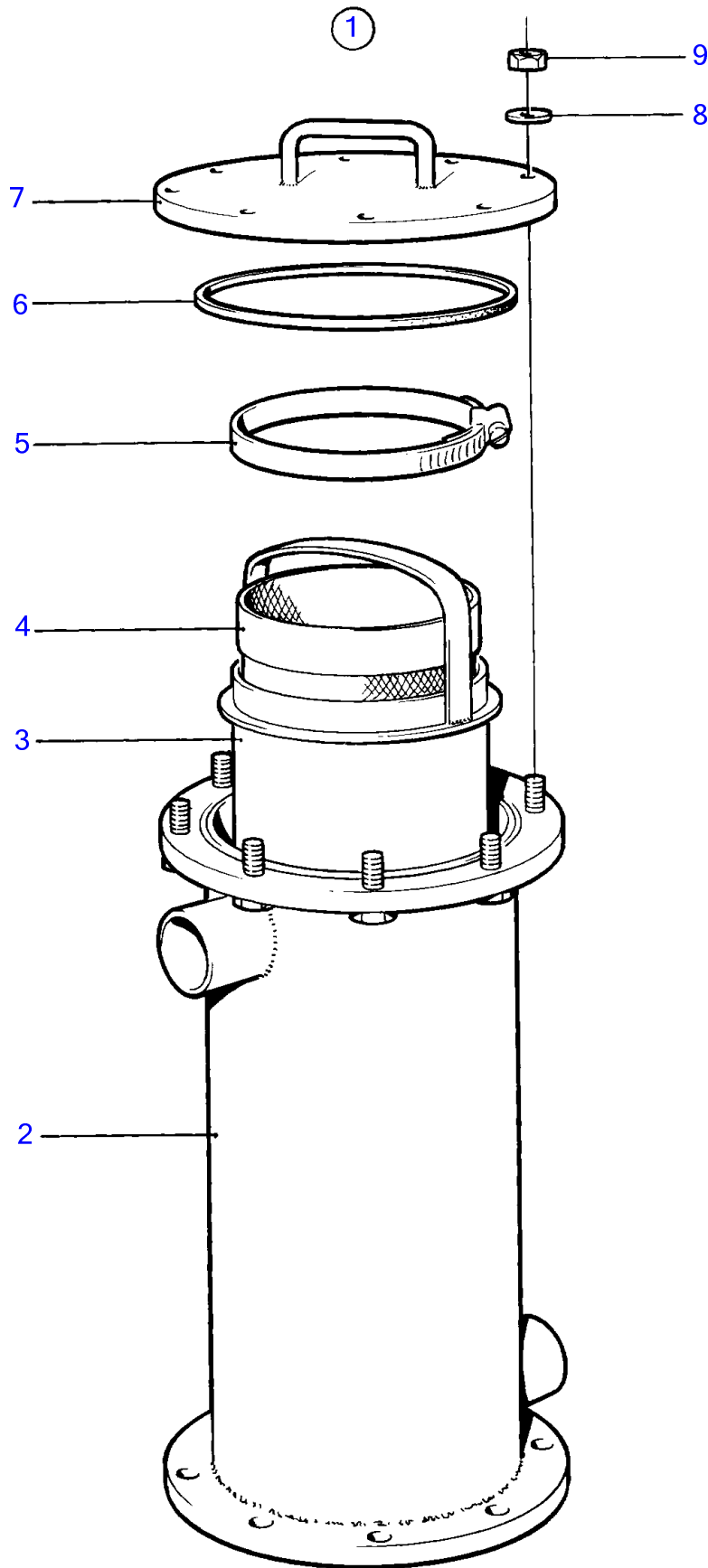


D16C-A MH, D16C-B MH, D16C-C MH



5552

D16C-A MH, D16C-B MH, D16C-C MH

| REF | PART NO. | QTY | DESCRIPTION | NOTES |
|-----|----------|-----|------------------|---------------|
| 1 | 843957 | 1 | Sea water filter | |
| 2 | (843958) | 1 | • Filter housing | Obsolete part |
| 3 | (843959) | 1 | • Filter basket | Obsolete part |
| 4 | 843971 | 1 | • Filter bag | |
| 5 | 949000 | 1 | • Hose clamp | |
| 6 | 925287 | 1 | • O-ring | |
| 7 | (843960) | 1 | • Cover | Obsolete part |
| 8 | 955900 | 8 | • Washer | |
| 9 | 955785 | 8 | • Hexagon nut | |