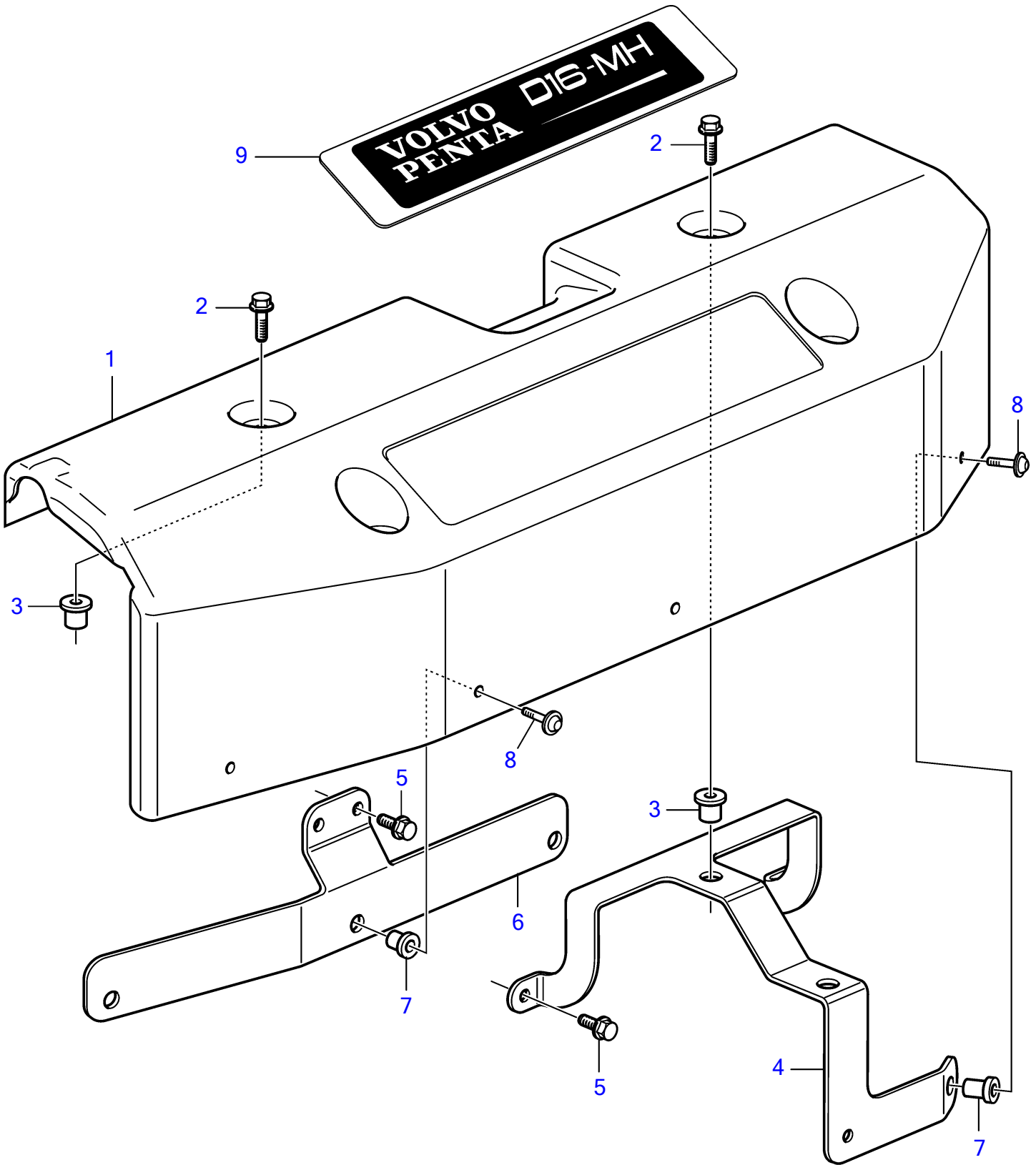


D16C-A MH, D16C-B MH, D16C-C MH



25445

D16C-A MH, D16C-B MH, D16C-C MH

REF	PART NO.	QTY	DESCRIPTION
1	3589022	1	Cover, upper
2	945444	4	Flange screw
3	930762	4	Expanding nut
4	3843458	1	Bracket
5	946440	5	Flange screw
6	3843456	1	Bracket
7	930760	4	Expanding nut
8	971368	4	6 point socket screw
9	3808027	1	Decal