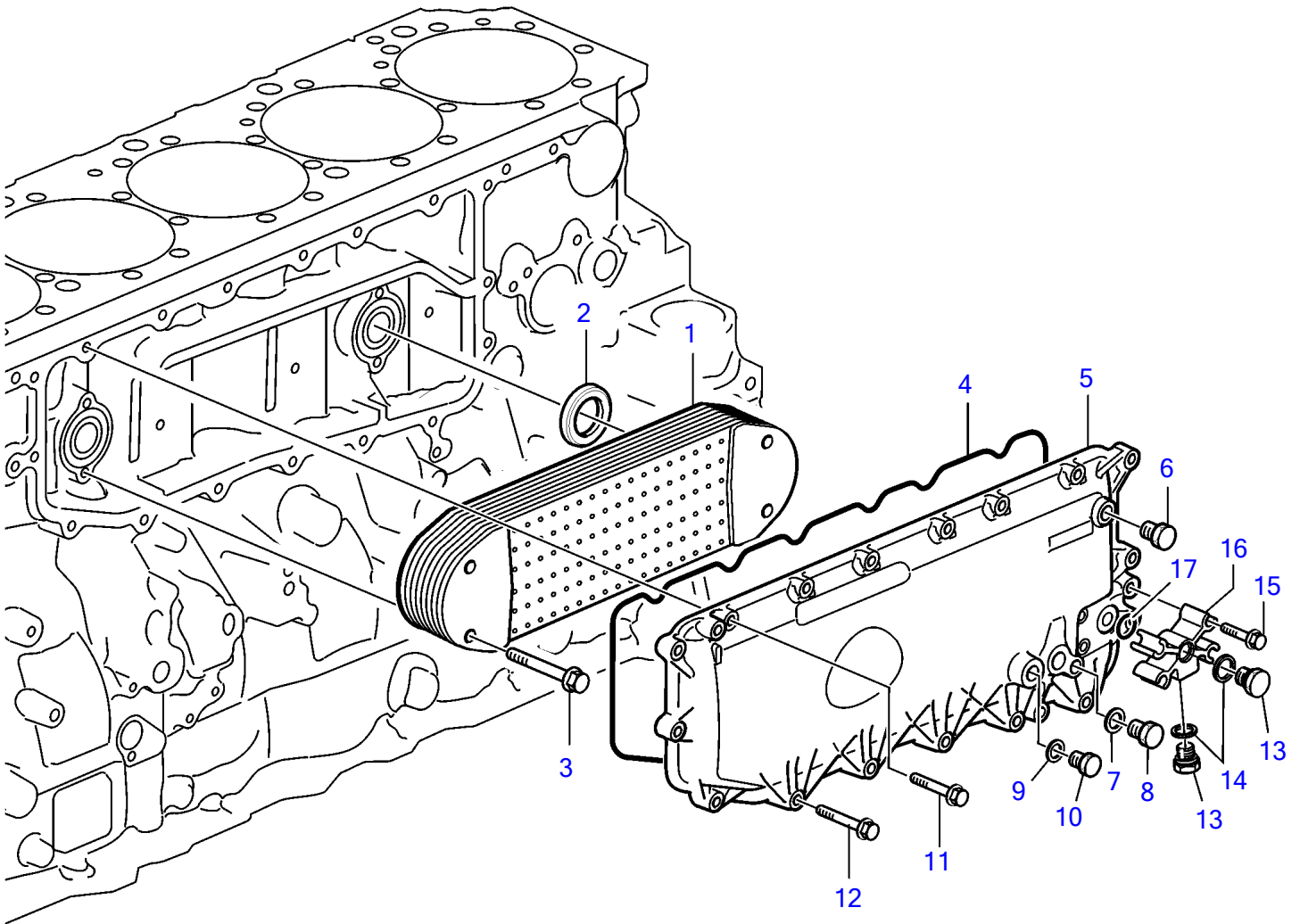


D16C-A MH, D16C-B MH, D16C-C MH



23220

D16C-A MH, D16C-B MH, D16C-C MH

REF	PART NO.	QTY	DESCRIPTION	NOTES
1	20700516	1	Oil cooler	
2	20551483	2	Sealing ring	
3	982160	4	Flange screw	
4	8131070	1	Sealing strip	SN-2016010024
	21302234	1	Gasket	SN2016010025-
	21039517	1	Sealing	SN2016010025-, Replaced by 21193230
	21193230	1	Sealing kit	SN2016010025-, Replaced by 21426900 & 21302234
5	20581617	1	Cover	SN-2016010024
	21100903	1	Cover	SN2016010025-, Replaced by 21100906
	21100906	1	Cover	SN2016010025-, Replaced by 21426900 & 21302234
	21426900	1	Cover	SN2016010025-
6	968062	1	Plug	
7	11994	1	Gasket	
8	960629	1	Plug	
9	11998	1	Gasket	
10	960632	1	Plug	
11	973924	5	Flange screw	
12	947760	12	Flange screw	
13	982293	2	Plug	
14	21024032	2	Sealing ring	
15	947760	4	Flange screw	
16	3888580	1	Spacer	
17	469846	1	Sealing ring	

7746510-26-9897

23220

Upd:2012-01-20

D16C-A MH, D16C-B MH, D16C-C MH

VOLVO
PENTA