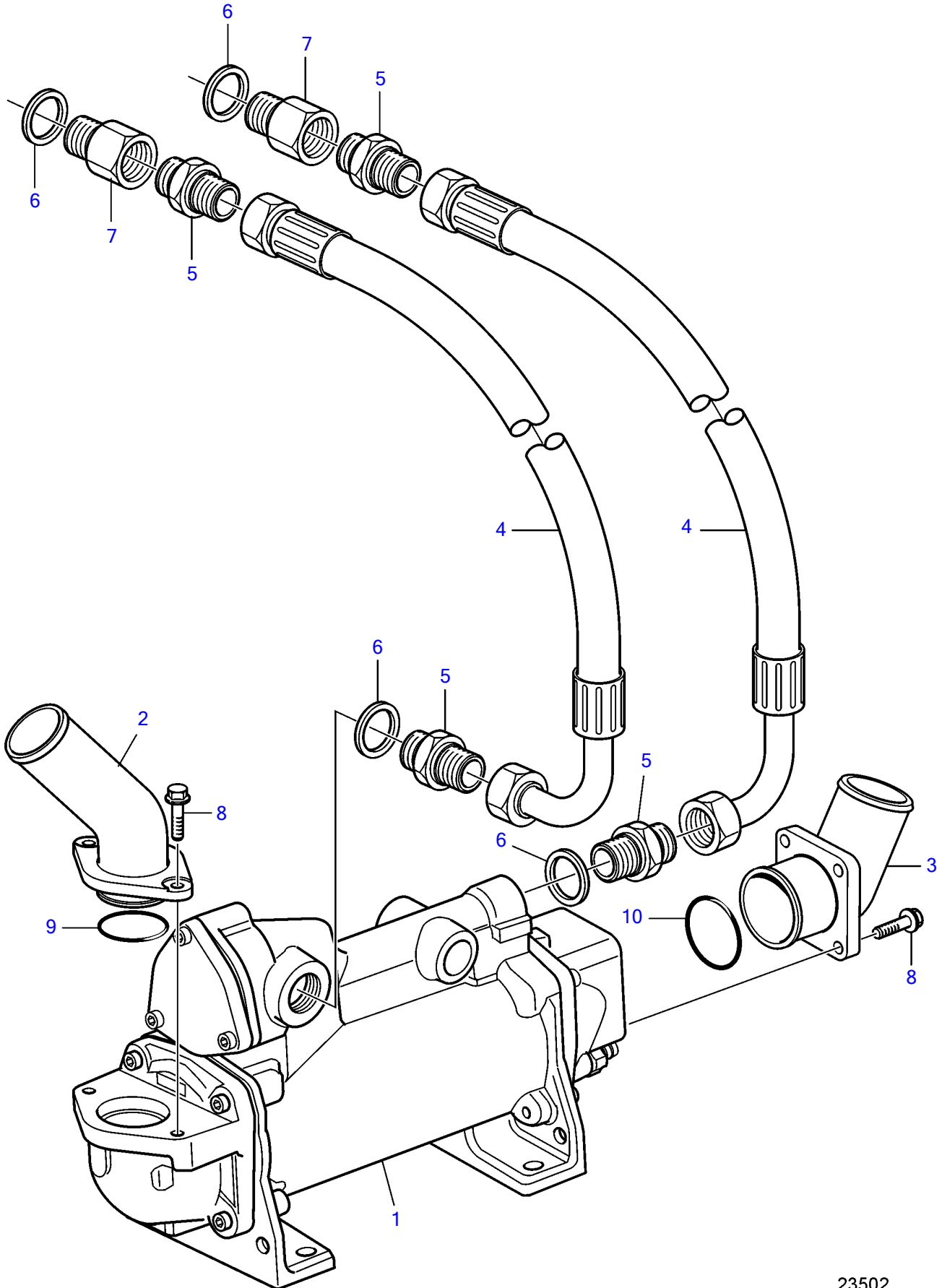


D16C-A MH, D16C-B MH, D16C-C MH



D16C-A MH, D16C-B MH, D16C-C MH

REF	PART NO.	QTY	DESCRIPTION	SEE SEC.
1		1	Heat exchanger	
			.	
			.	21355
2	3842588	1	Seawater pipe	
3	3830257	1	Riser	
4	3588028	2	Hose	
5	984670	4	Nipple	
6	977937	4	Gasket	
7	949707	2	Reduction nipple	
8	946173	6	Flange screw	
9	925092	1	O-ring	
10	843584	1	Gasket	