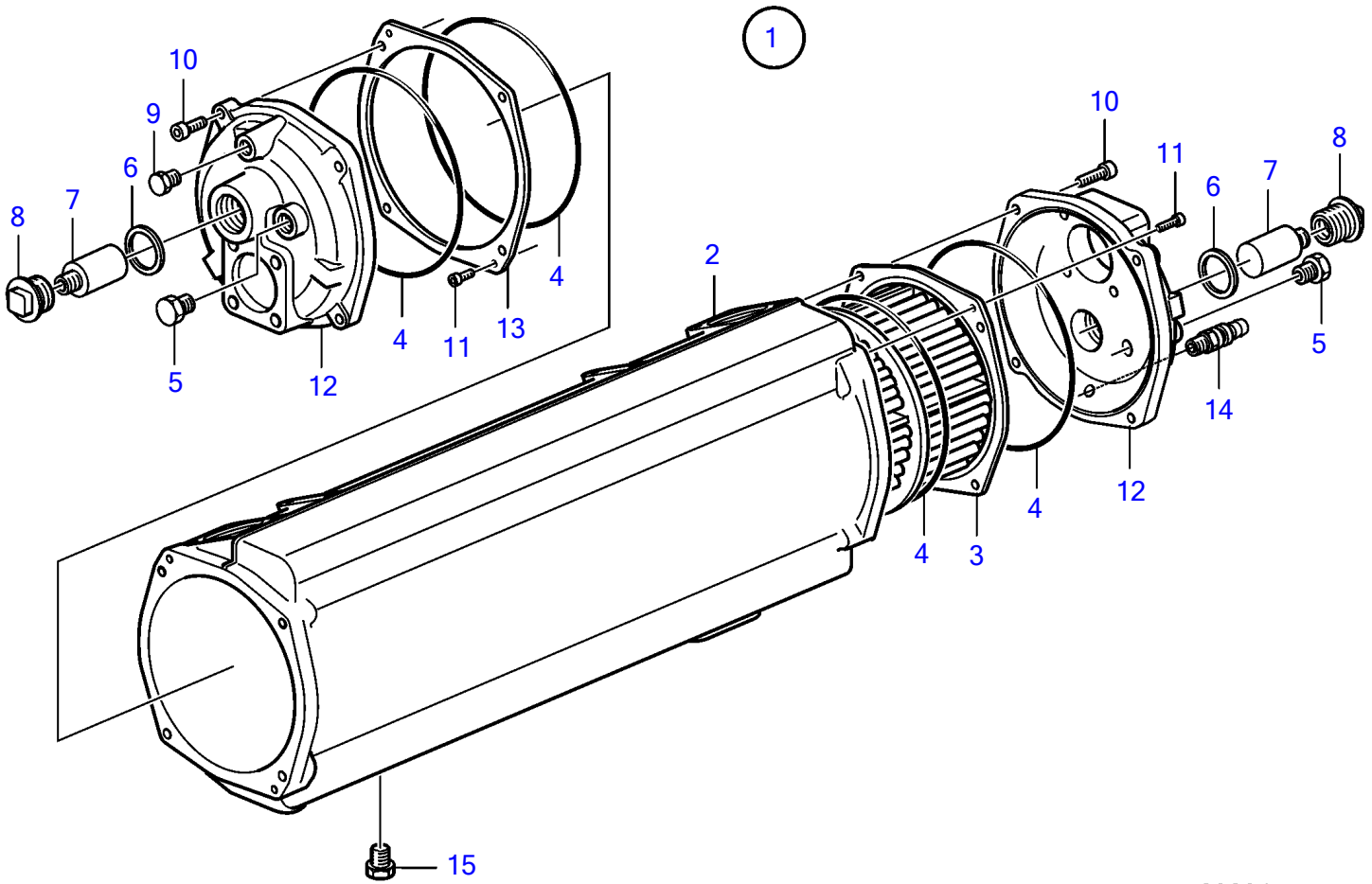


D16C-A MH, D16C-B MH, D16C-C MH



23231

D16C-A MH, D16C-B MH, D16C-C MH

REF	PART NO.	QTY	DESCRIPTION
1	3819408	1	Heat exchanger
2		1	• Heat exchanger housi
3	3830696	1	• Insert
4	3826783	4	• O-ring
5	982364	2	• Plug
6	836169	2	• Gasket
7	823661	2	• Zinc anode
8	823662	2	• Plug
9	982363	1	• Plug
10	959224	8	• Hex. socket screw
11	942001	4	• Hex. socket screw
12	3819410	2	• End plate
13	3830694	1	• Spacer
14	949918	1	Shut-off cock
15	982363	1	Plug