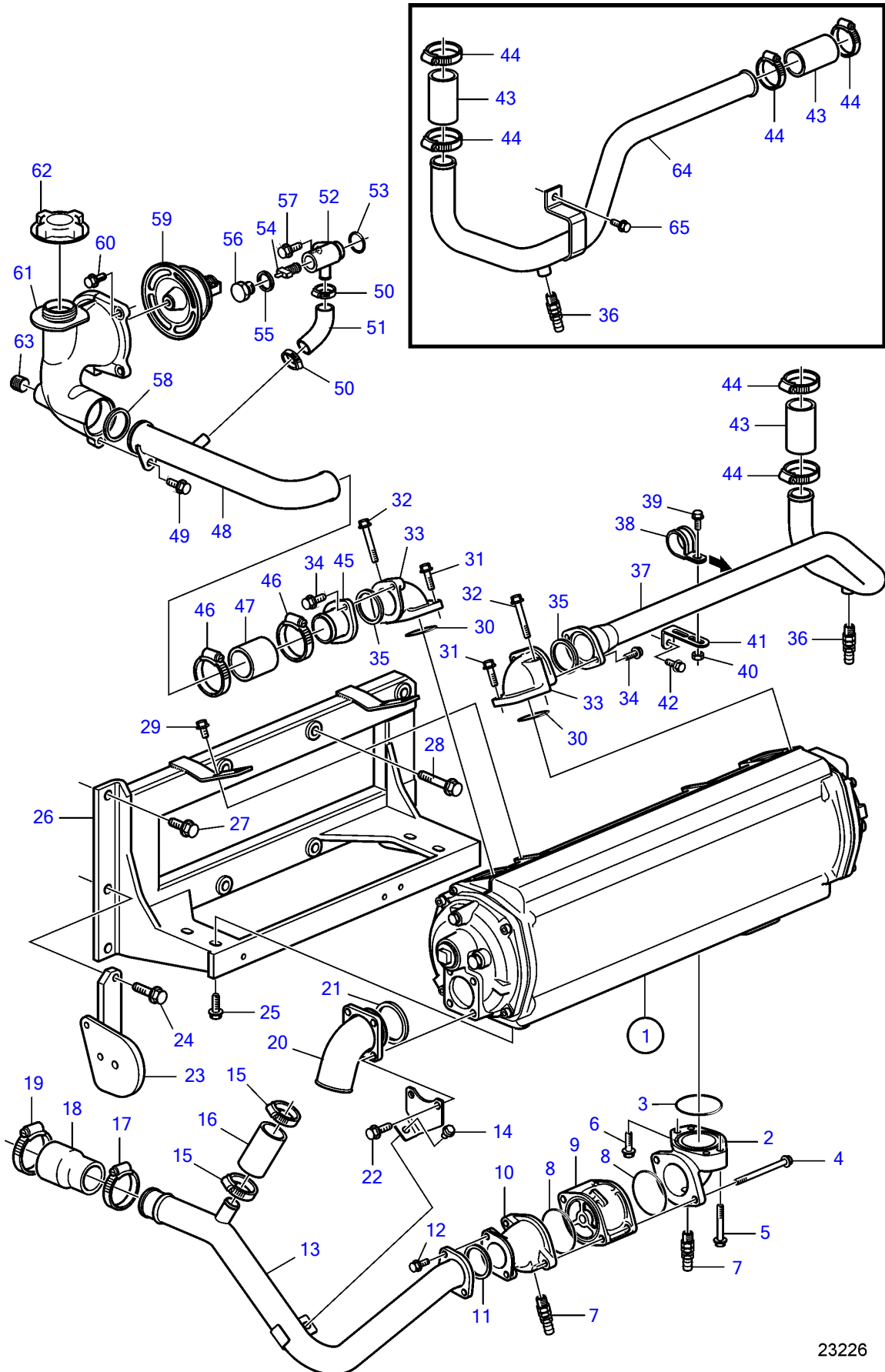


D16C-A MH, D16C-B MH, D16C-C MH



23226

## D16C-A MH, D16C-B MH, D16C-C MH

REF	PART NO.	QTY	DESCRIPTION	SEE SEC.	NOTES
1	3819408	1	Heat exchanger		
			.		
			.	9910	
2	3818808	1	Pipe connection		
3	975675	1	O-ring		
4	965183	2	Flange screw		
5	946671	1	Flange screw		
6	947760	1	Flange screw		
7	949918	2	Shut-off cock		
8	925255	2	O-ring		
9	3812314	1	Overflow valve		
10	3809589	1	Adapter		
11	864491	1	Gasket		
12	946173	2	Flange screw		
13	3807111	1	Water pipe		
14	947107	1	Flange screw		
15	853548	2	Hose clamp		
16	969033	1	Rubber hose		
17	961671		Hose clamp		
18	3837438	1	Collar		
19	961672	1	Hose clamp		
20	3830255	1	Riser		
21	843584	1	Gasket		
22	945444	4	Flange screw		
23	3589160	1	Bracket		
24	965225	2	Flange screw		
25	946329	4	Flange screw		
26	3818684	1	Bracket		
27	946817	1	Flange screw		
28	965194	6	Flange screw		
29	946440	4	Flange screw		
30	925069	2	O-ring		
31	945444	2	Flange screw		
32	965180	2	Flange screw		
33	865821	2	Pipe connection		
34	946440	4	Flange screw		
35	864491	2	Gasket		
36	949918	2	Shut-off cock		
37	3841237	1	Water pipe		
38	952640	1	Clamp		
39	946440	1	Flange screw		
40	945407	1	Flange nut		
41	965558	1	Bracket		
42	948217	2	Flange screw		
43	3808196	3	Hose		
44	961669	6	Hose clamp		
45	3837473	1	Coolant pipe		
46	961671	2	Hose clamp		
47	858471	1	Hose		
48	3589049	1	Water pipe		
49	946440	1	Flange screw		
50	961665	2	Hose clamp		
51	3885219	1	Hose		
52	3841640	1	Valve		
53	1547252	1	• Sealing ring		
54	3809467	1	• By-pass valve		
55	947625	1	• Gasket		
56		1	• Plug		
57	946440	1	Flange screw		
58	1547253	1	Sealing ring		
59	20560252	1	Thermostat		Replaced by 21237216
	21237216	1	Thermostat		Replaced by 21412643
	21412643	1	Thermostat		

D16C-A MH, D16C-B MH, D16C-C MH

REF	PART NO.	QTY	DESCRIPTION	SEE SEC.	NOTES
60	946173	4	Flange screw		
61	3843110	1	Cover		
62	1674922	1	Filler cap		
63	968146	1	Plug		
64	3841239	1	Water pipe		
65	946440	1	Flange screw		