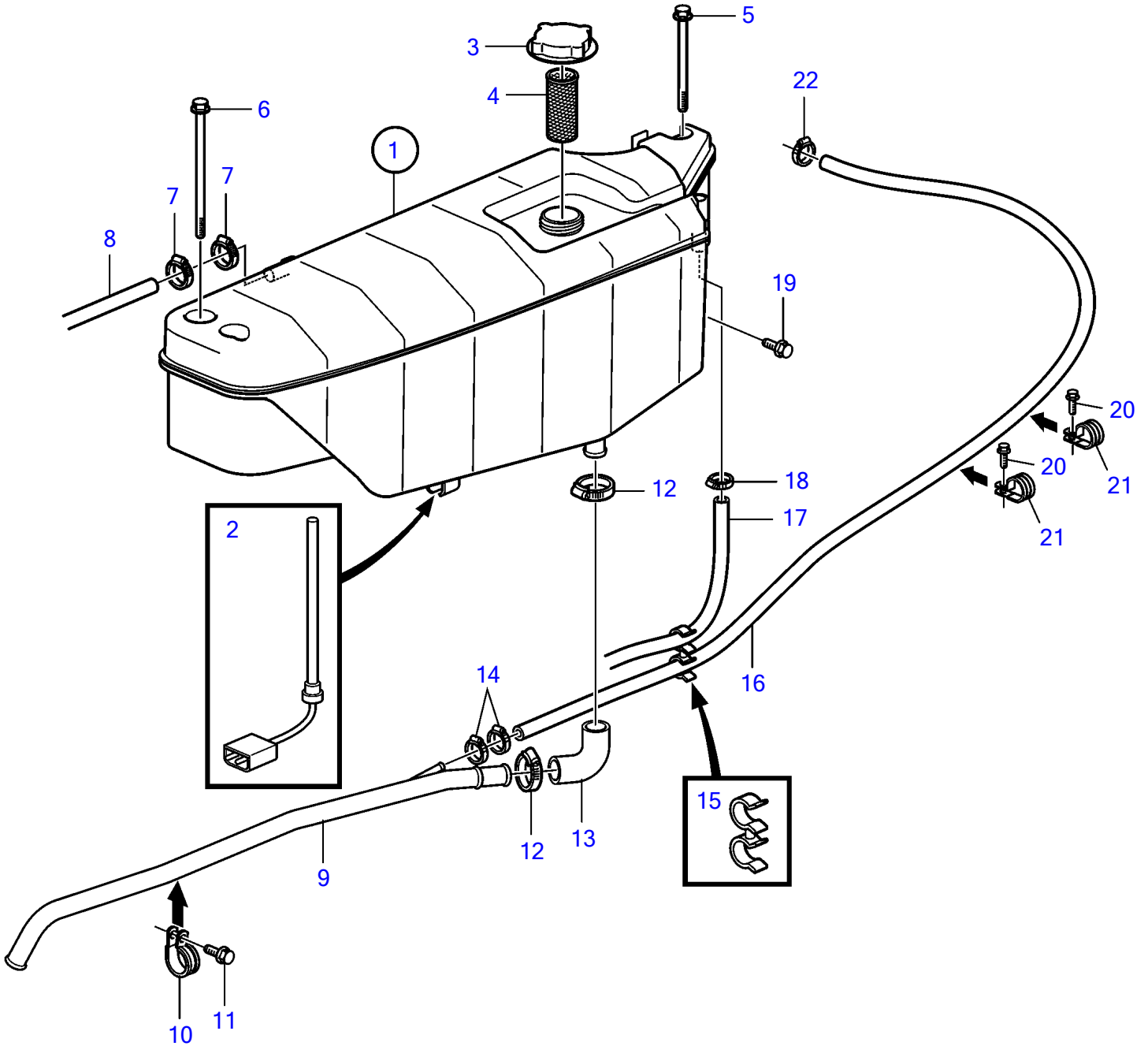


D16C-A MH, D16C-B MH, D16C-C MH



23224

D16C-A MH, D16C-B MH, D16C-C MH

REF	PART NO.	QTY	DESCRIPTION	SEE SEC.	NOTES
1	21861378	1	Expansion tank		
2		1	• Level sensor	21308	
3	1674083	1	• Pressure cap		
4	21397682	1	Pipe		
5	969225	2	Flange screw		
6	968893	2	Flange screw		
7	961663	2	Hose clamp		
8	943367	1	Rubber hose		L=750mm
9	21867371	1	Water pipe		
10	945081	1	Clamp		
11	946440	1	Flange screw		
12	961666	2	Hose clamp		
13	3807104	1	Hose hook		
14	961663	2	Hose clamp		
15	981857	1	Retainer		
16	943366	1	Rubber hose		L=1400mm
17	943367	1	Rubber hose		L=830mm
18	961663	1	Hose clamp		
19	946440	1	Flange screw		
20	946440	2	Flange screw		
21	949747	2	Clamp		
22	943471	1	Hose clamp		