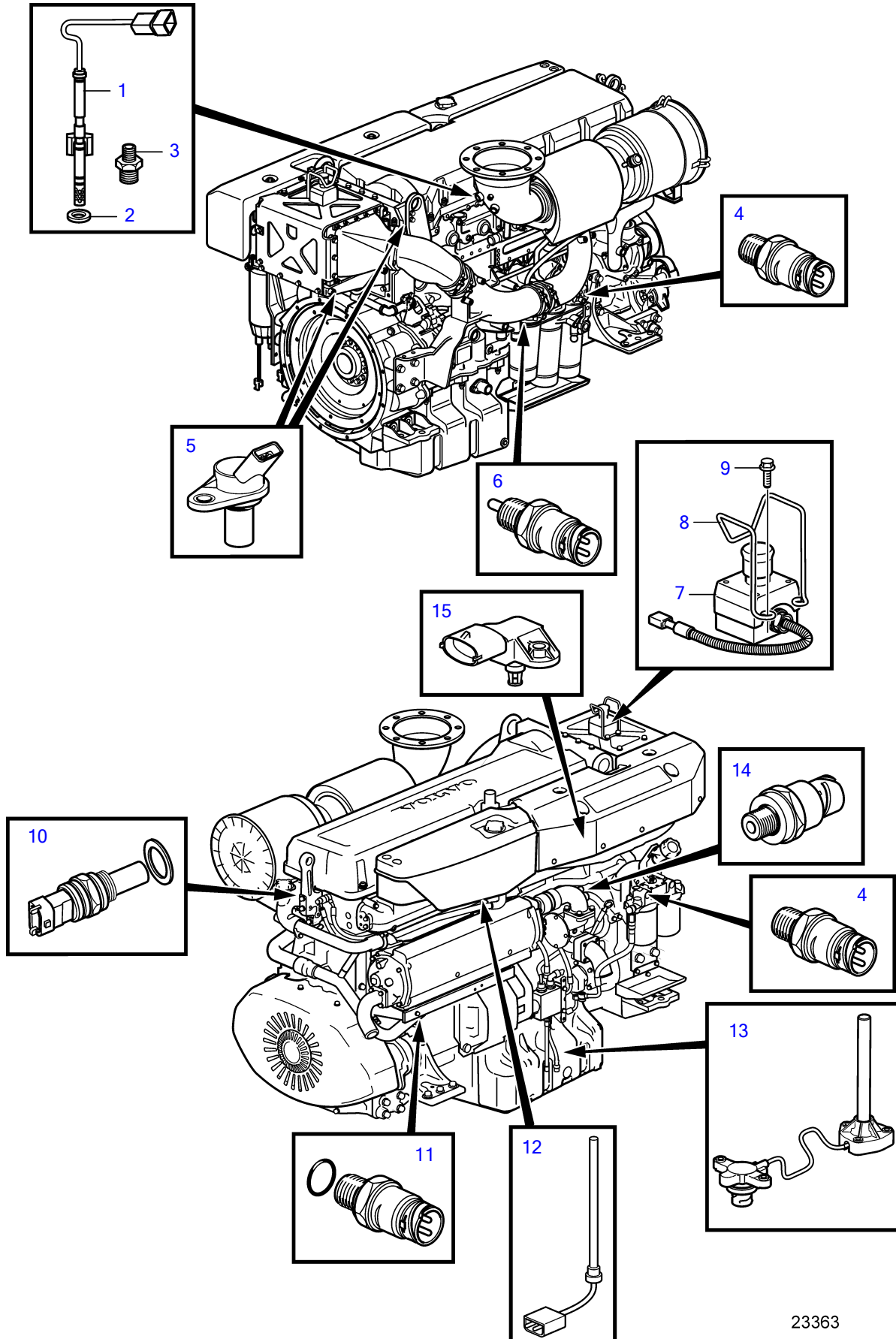


D16C-A MH, D16C-B MH, D16C-C MH



23363

D16C-A MH, D16C-B MH, D16C-C MH

REF	PART NO.	QTY	DESCRIPTION	NOTES
1	874330	1	Temperature sensor, exhaust temp	
2	947626	1	Gasket	
3	874318	1	Fitting	
4	20796740	1	Pressure sensor, oil pressure	Replaced by 20898038
	20886108	1	Pressure sensor, fuel/oil pressure	Replaced by 20898038
	20898038	1	Pressure sensor	
5	20513343	2	Sensor, rpm	
6	874673	1	Pressure switch, piston cooling	Replaced by 21202753.
	21202753	1	Pressure switch	
7	3588180	1	Emergency stop	
8	3838198	1	Protecting brace	
9	946440	2	Flange screw	
10	20513340	1	Sensor, fresh water	
11	20796744	1	Pressure sensor, crankhouse	
12	3588990	1	Level sensor, expansion tank	
13	24424110	1	Sensor, oil level	Replaced by 21042447
	21042447	1	Oil level sensor	
14	874329	1	Sensor, freshwater cooling	Replaced by 3808805.
	3808805	1	Pressure sensor, freshwater cooling	
15	20524936	1	Pressure sensor, charge pressure/temperature	