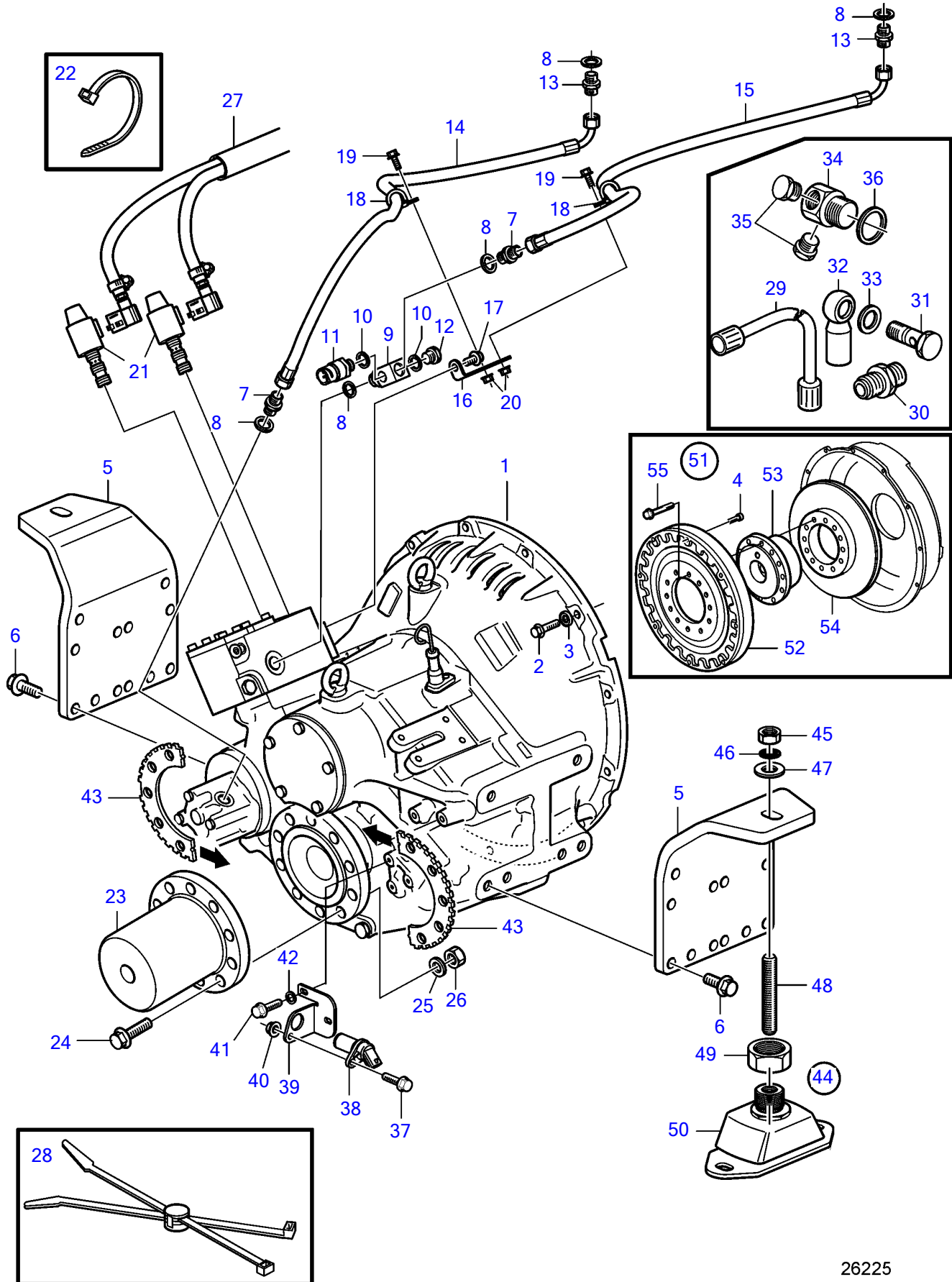


D13B-A MP, D13B-H MP



26225

Upd:2012-02-08

26225

7749490-44-35787

D13B-A MP, D13B-H MP

REF	PART NO.	QTY	DESCRIPTION	NOTES
1		1	Reversing gear	Ratio 1.59:1
		1	Reversing gear	Ratio 1.77:1
		1	Reversing gear	Ratio 1.96:1
2	965185	9	Flange screw	
3	941908	10	Spring washer	
4	965226	8	Flange screw	
5	21423401	2	Engine mountings	
6	968435	12	Flange screw	
7	943986	2	Nipple	
8	976932	5	Gasket	
9	3828349	1	X-nipple	
10	976931	2	Gasket	
11	874313	1	Sensor	
12	960632	1	Plug	
13	943986	2	Nipple	
14	21322361	1	Oil hose	(21108002)
15	21386719	1	Oil hose	(21108002)
16	965561	1	Bracket	
17		1	Screw	
18	945081	3	Clamp	
19	946173	3	Flange screw	
20	945408	3	Flange nut	
21	3589000	1	Solenoid valve kit	24V
22	948211	X	Cable tie	
23	(864087)	1	Clutch flange	Obsolete part
24	980253	10	Hexagon screw	
25	941913	10	Spring washer	
26	943674	10	Lock nut	
27	21422563	1	Wiring harness	
28	1075407	3	Cable tie	
29	3837463	1	Hose	
30	983779	1	Nipple	
31	991046	1	Hollow screw	
32	993617	1	Banjo nipple	
33	20852765	1	Sealing ring	
34	3837435	1	Elbow nipple	
35	479976	2	Plug	
36	18677	1	Gasket	
37	946544	1	Flange screw	
38	20513343	1	Sensor	
39	3841424	1	Bracket	
40	949278	1	Flange lock nut	
41	967949	2	Flange screw	
42	949607	2	Spring washer	
43	3841413	2	Sprocket wheel	
44	21593939	1	Rubber cushion kit	
45	955786	1	• Hexagon nut	
46	847766	1	• Lock washer	
47	120224	1	• Washer	
48		1	• Adjusting screw	
49	3839409	1	• Nut	
50	(21586050)	1	• Rubber cushion	Obsolete part
51	21609861	1	Flexible coupling	
52	(21575444)	1	• Flexible coupling	Obsolete part
53	(21575446)	1	• Hub	Obsolete part
54	21588209	1	• Adapter	
55	974008	12	Flange screw	

7749490-44-35787

26225

Upd:2012-02-08