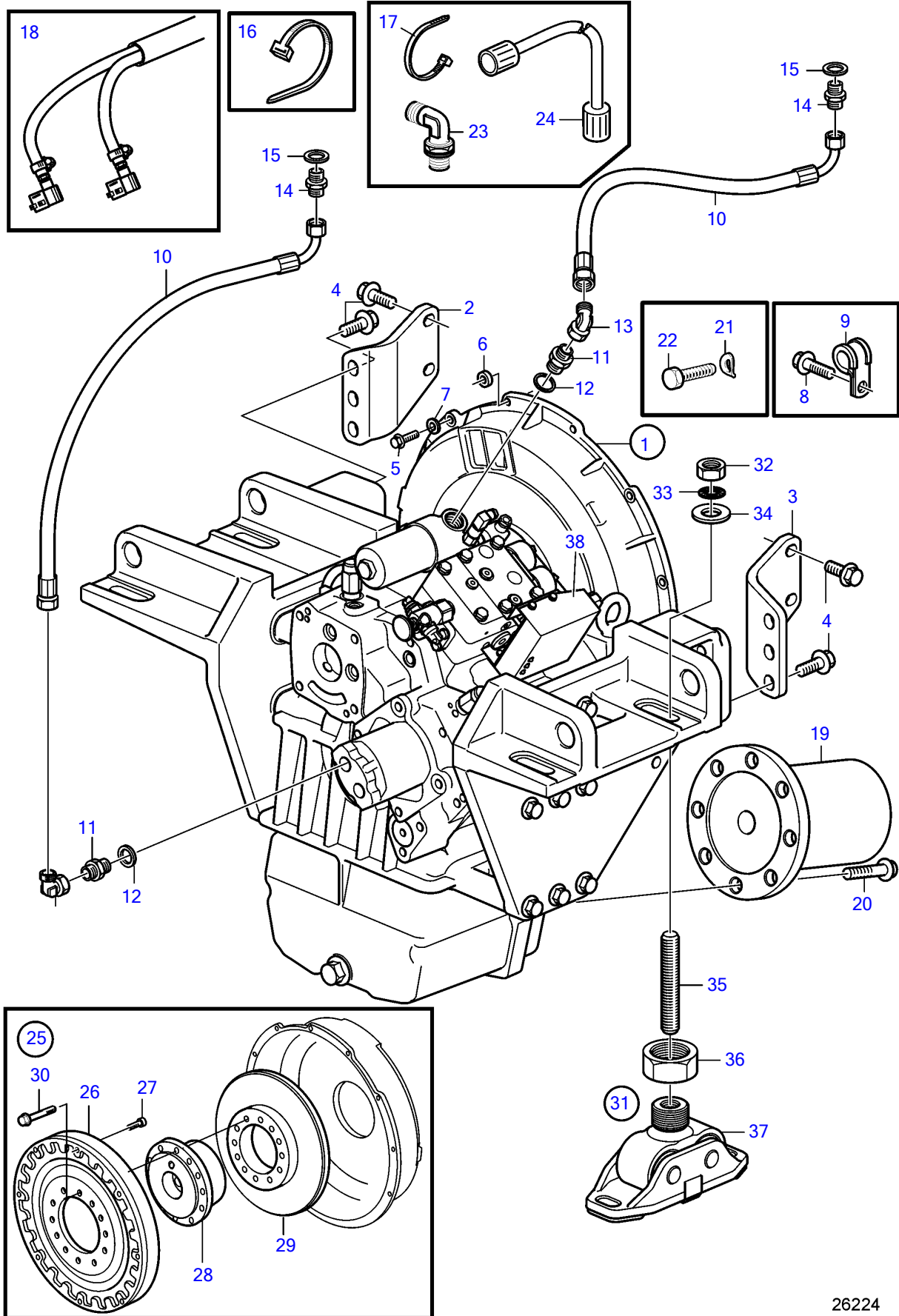


D13B-A MP, D13B-C MP, D13B-D MP, D13B-H MP



26224

Upd:2012-02-08

26224

7749490-44-35786

D13B-A MP, D13B-C MP, D13B-D MP, D13B-H MP

REF	PART NO.	QTY	DESCRIPTION	NOTES
1			Reversing gear	Ratio 1.52:1
			Reversing gear	Ratio 1.80:1
			Reversing gear	Ratio 1.97:1
			• parts not sold separately	
2		1	Bracket, left	
3		1	Bracket, right	
4	968435	10	Flange screw	
5	965185	10	Flange screw	
6	860699	2	Spacer sleeve	
7	941908	10	Spring washer	
8	947107	3	Flange screw	
9	945081	3	Clamp	
10		2	Oil hose	
11	994328	2	Nipple	
12	947629	2	Gasket	
13	946369	2	Elbow nipple	
14	943986	2	Nipple	
15	976932	2	Gasket	
16	948211	X	Cable tie	
17	1075407	1	Cable tie	
18	21159075	1	Wiring harness	
19	844765	1	Clutch flange	
20	955764	8	Hexagon screw	
21	940280	8	Spring washer	
22	965227	8	Flange screw	
23	11090362	1	Elbow nipple	
24	3837463	1	Hose	
25	21609861	1	Flexible coupling	
26	(21575444)	1	Flexible coupling	Obsolete part
27	959263	8	Hex. socket screw	
28	(21575446)	1	Hub	Obsolete part
29	21588209	2	Adapter	
30	974008	12	Flange screw	
31	3843493	4	Rubber cushion kit	
32	955786	1	• Hexagon nut	
33	990697	1	• Lock washer	
34	991994	1	• Washer	
35	3817323	1	• Adjusting screw	
36	3840980	1	• Nut	
37		1	• Bracket	
38	21650002	1	Control unit	

7749490-44-35786

26224

Upd:2012-02-08

D13B-A MP, D13B-B MP, D13B-C MP, D13B-D MP, D13B-G MP, D13B-H MP