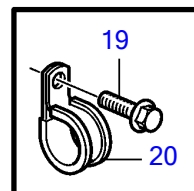
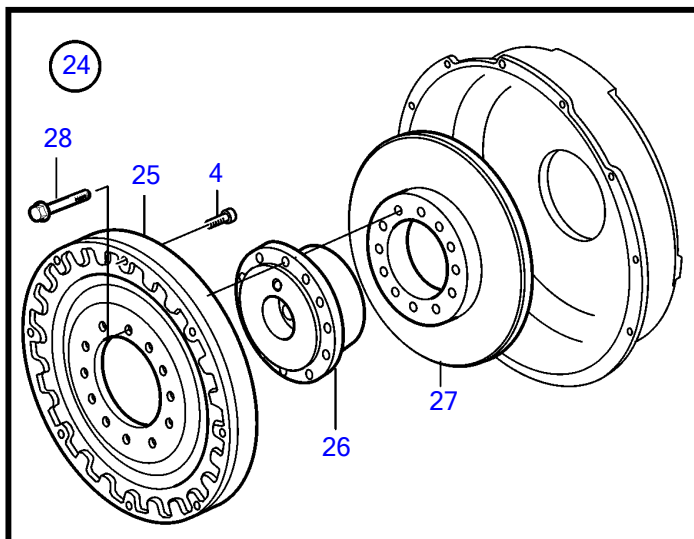
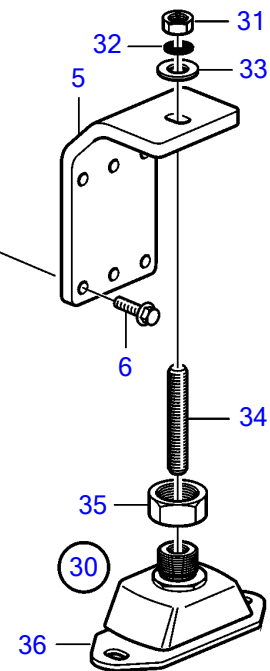
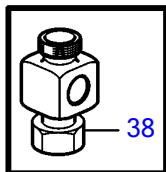
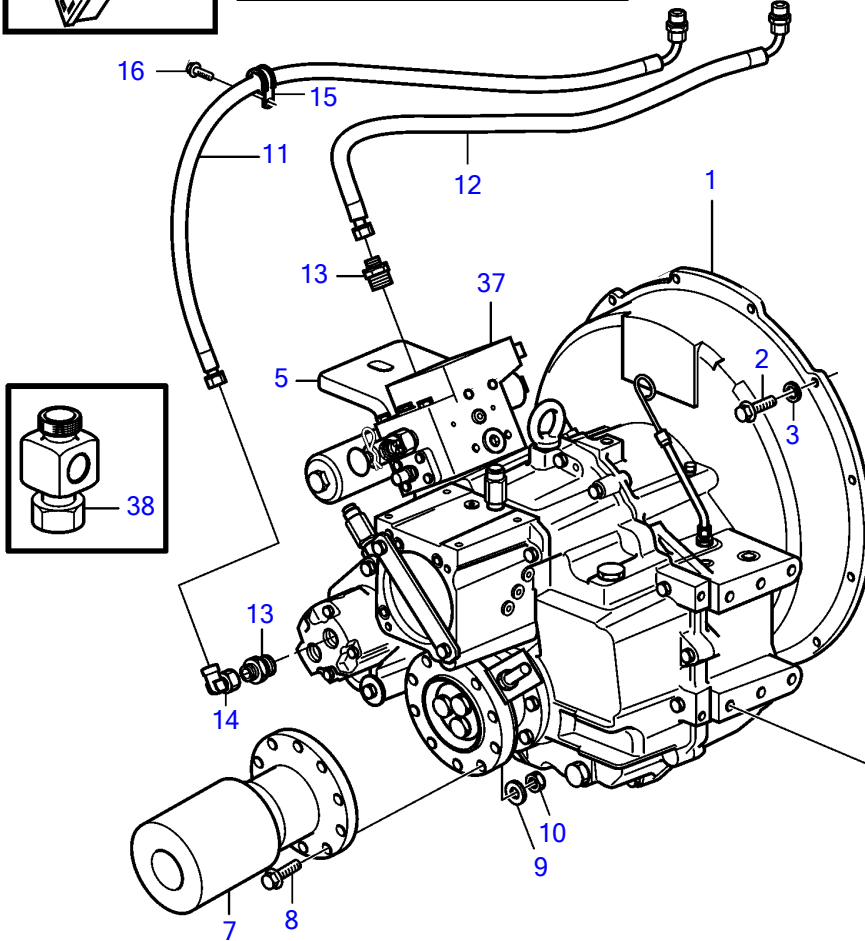
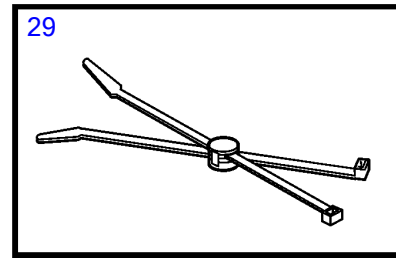
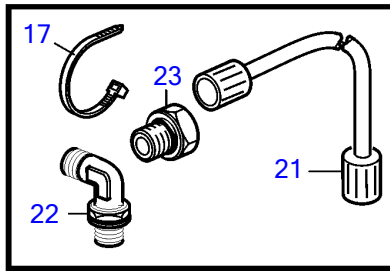
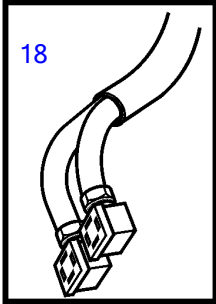


D13B-A MP, D13B-B MP, D13B-C MP, D13B-H MP



26213

## D13B-A MP, D13B-B MP, D13B-C MP, D13B-H MP

REF	PART NO.	QTY	DESCRIPTION	NOTES
1		1	Reversing gear	Ratio 1.52:1
		1	Reversing gear	Ratio 1.81:1
		1	Reversing gear	Ratio 2.04:1
			• parts not sold separately	
2	965185	10	Flange screw	
3	941908	10	Spring washer	
4	959263	8	Hex. socket screw	
5	21391960	2	Engine mountings	
6	968435	12	Flange screw	
7	21108357	1	Companion flange	
8	974007	10	Flange screw	
9	941912	10	Spring washer	
10	(946363)	10	Lock nut	Obsolete part
11	21386719	1	Oil hose	L=620mm
12	21322361	1	Oil hose	L=440mm
13	994328	2	Nipple	
14	946369	1	Elbow nipple	
15	945081	2	Clamp	
16	946173	2	Flange screw	
17	948211	X	Cable tie	
18	21159075	1	Wiring harness	
19	946471	1	Flange screw	For rpm cable
20	949746	1	Clamp	For rpm cable
21	3837463	1	Hose	
22	11090362	1	Elbow nipple	
23	994303	1	Reduction nipple	
24	21609861	1	Flexible coupling	
25	(21575444)	1	• Flexible coupling	Obsolete part
26	(21575446)	1	• Hub	Obsolete part
27	21588209	1	• Adapter	
28	974008	12	• Flange screw	
29	20885496	2	Retainer	
30	21593939	2	Rubber cushion kit	
31	955786	1	• Hexagon nut	
32	847766	1	• Lock washer	
33	120224	1	• Washer	
34		1	• Adjusting screw	
35	3839409	1	• Nut	
36	(21586050)	1	• Rubber cushion	Obsolete part
37	21650001	1	Control unit	
38	21430896		Connecting block	