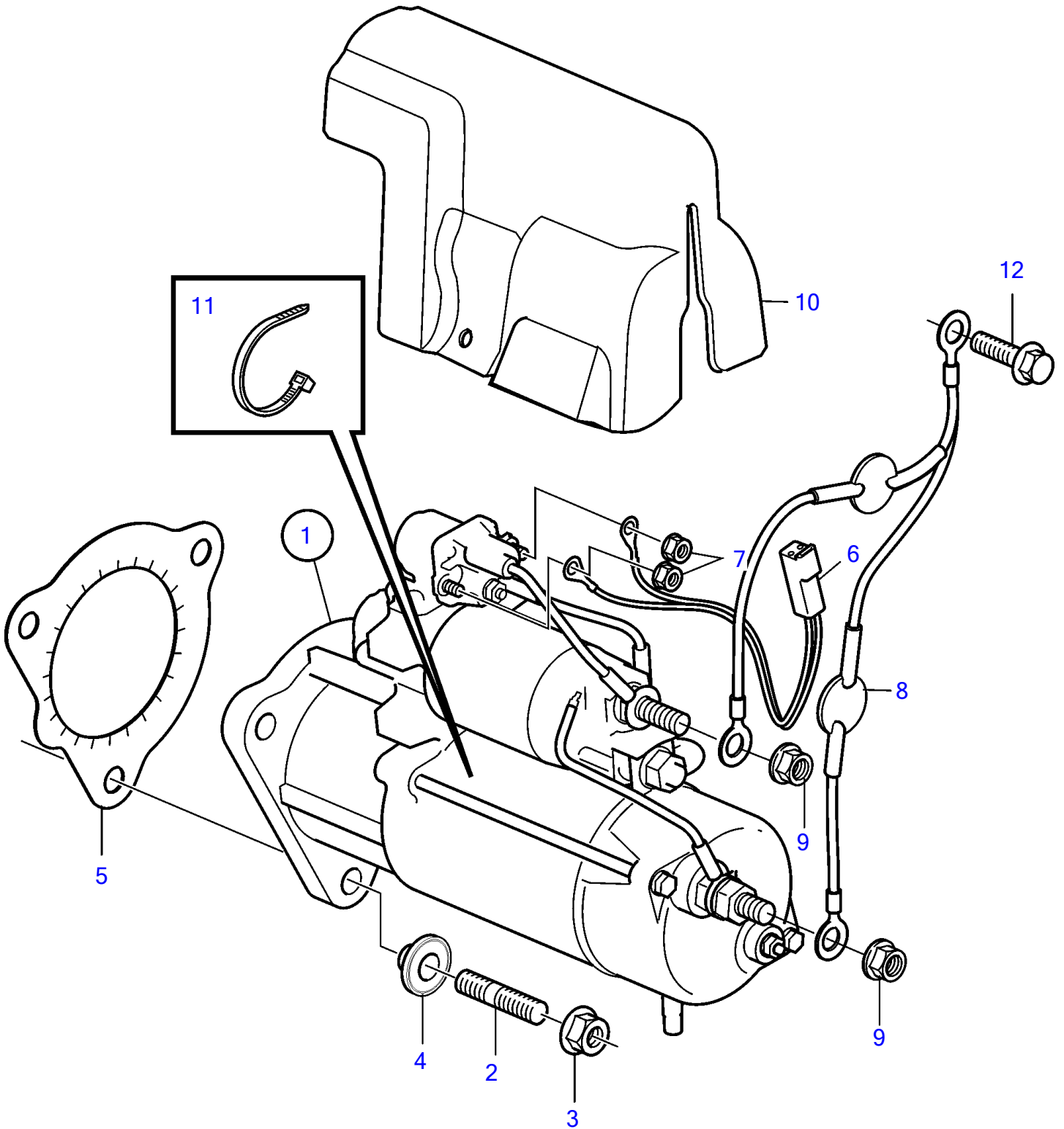


D13B-B MP, D13B-D MP



25330

D13B-B MP, D13B-D MP

REF	PART NO.	QTY	DESCRIPTION	NOTES
1	21103722	1	Starter motor	24V
	3801289	1	Starter motor, exch, exch	24V
			• parts not sold separately	
2	953098	3	Stud	
3	971096	3	Flange nut	
4	21308514	3	Insulating bushing	
5	3888763	1	Gasket	
6	21121115	1	Connection wire	
7	983714	2	Hexagon nut	
8	21546674	1	Cable kit	For D13B-D MP
9	983717	2	Hexagon nut	
10	3885232	1	Cover	
11	948211	X	Cable tie	
12	947107	1	Flange screw	