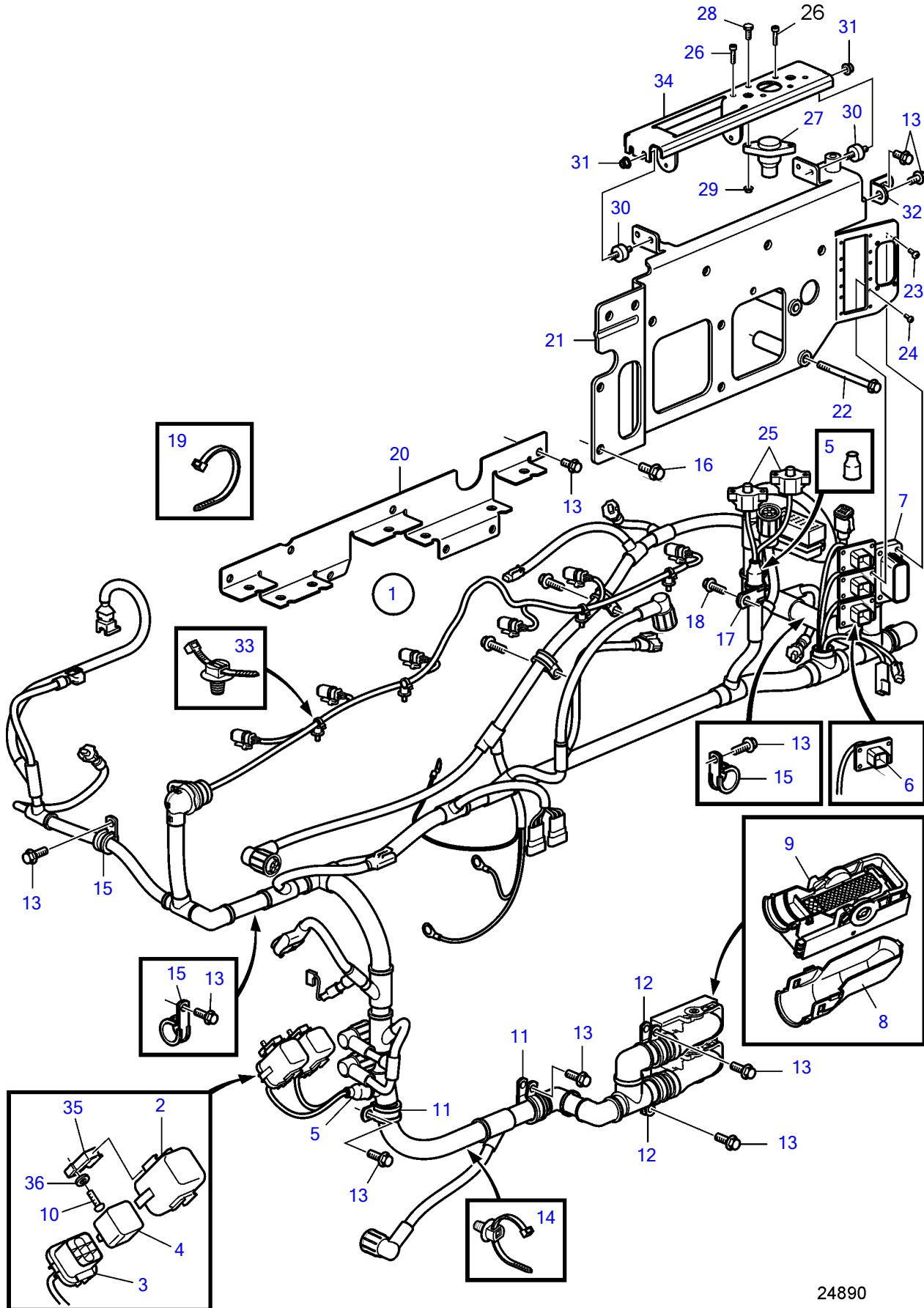


D13B-A MP, D13B-B MP, D13B-G MP, D13B-H MP



24890

Upd:2012-02-08

24890

7749490-30-35780

D13B-A MP, D13B-B MP, D13B-G MP, D13B-H MP

REF	PART NO.	QTY	DESCRIPTION	NOTES
1	3889166	1	Wiring harness	
2	3587173	2	• Relay box	
3	3587172	2	• Relay socket	
4	3171420	2	• Relay	
5	4803711	2	• Protecting sleeve	
6	992330	3	• Housing	
7	992329	1	• Housing	
8	20429844	2	• Adapter	
9	20429842	2	• Housing	
10	969407	2	6 point socket screw	
11	947827	2	Clamp	
12	949997	2	Clamp	
13	946440	7	Flange screw	
14		1	Cable tie	
15	990487	2	Clamp	
16	946441	4	Flange screw	
17	949747	2	Clamp	
18	947107	1	Flange screw	
19	948211	X	Cable tie	D=73mm
	983472	6	Cable tie	D=35mm high temperature
20	21204994	1	Bracket	
21	(3847891)	1	Bracket	Obsolete part
22	965184	2	Flange screw	
23	969405	4	6 point socket screw	
24	969514	12	6 point socket screw	
25	873952	2	Automatic fuse	
26	959190	4	Hex. socket screw	
27	3848975	1	Stop button	
28	955269	2	Hexagon screw	
29	965483	4	Flange nut	
30	1348141	3	Absorber	
31	945407	3	Flange nut	
32	965553	1	Bracket	
33	8131393	4	Retainer	
34	3847951	1	Fuse holder	
35	21492847	2	Relay bracket	
36	960138	2	Washer	