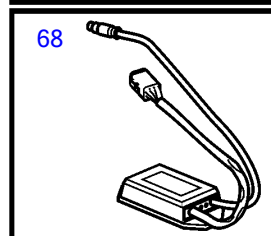
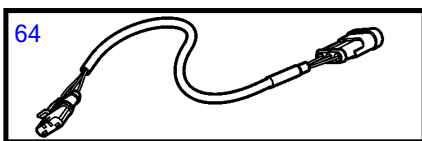
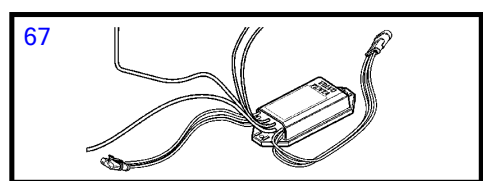
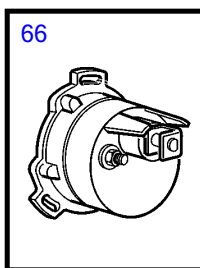
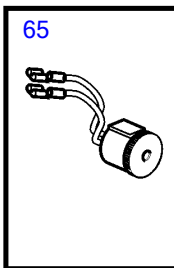
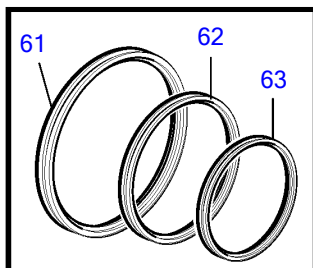
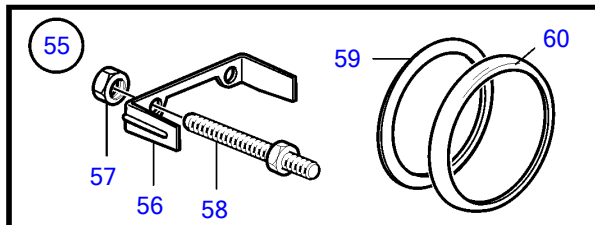
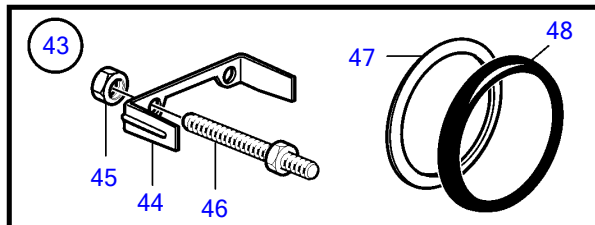
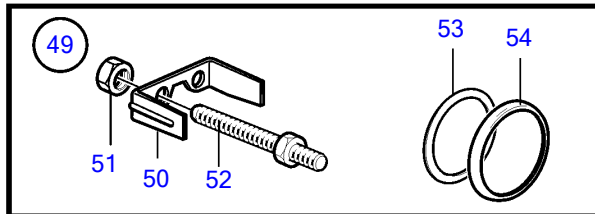
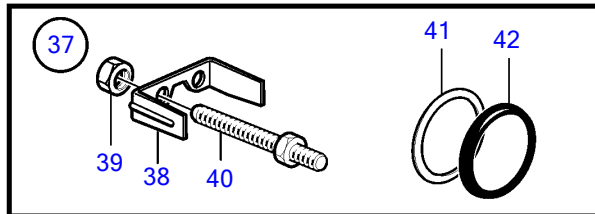
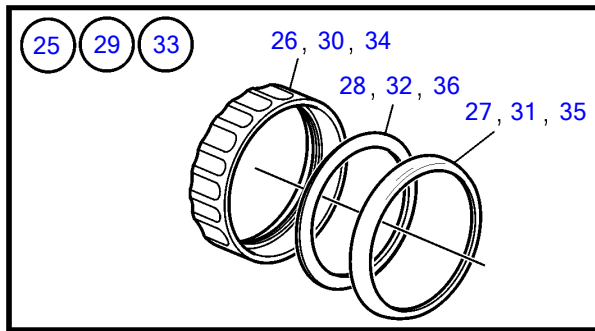
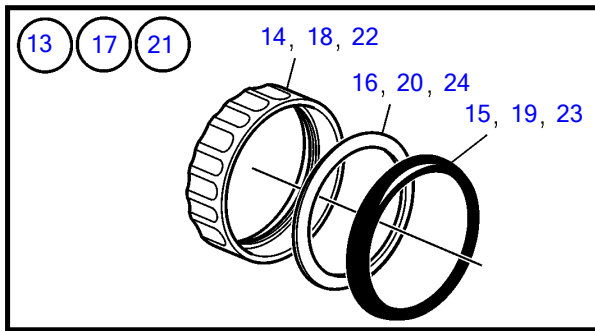
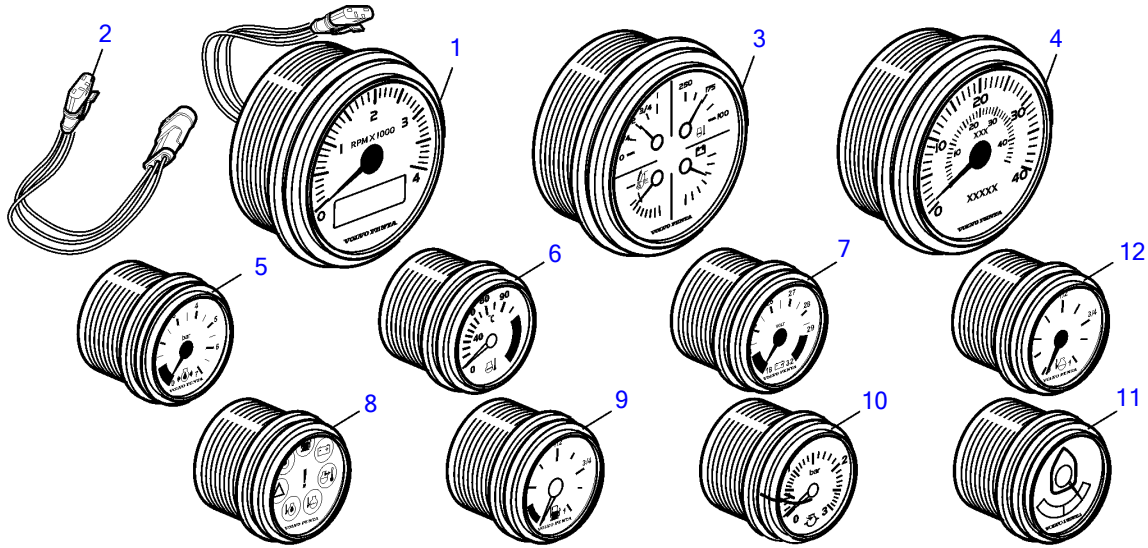


D13B-H MP



25350

D13B-H MP

REF	PART NO.	QTY	DESCRIPTION	SEE SEC.	NOTES
1	21234542	1	Tachometer kit		White, 4000rpm, Cable included, D=110mm
	21234543	1	Tachometer kit		Black, 4000rpm, Cable included, D=110mm
	21509649	1	Tachometer kit		White, 4000rpm, Cable included, D=85mm
	21509650	1	Tachometer kit		Black, 4000rpm, Cable included, D=85mm
	21509644	1	Tachometer, kit		White, 6000rpm, Cable included, D=85mm
	21509646	1	Tachometer, kit		Black, 6000rpm, Cable included, D=85mm
2	3884843	1	• Wiring harness		
3	3885214	1	Instrument		Four in one gauge (oil pressure, coolant temp, fuel level, volt meter), White, D=110mm
			• Bulletin P-36-9-3	P-36-9-3-EN	New products in the EVC family
3	3885215	1	Instrument		Four in one gauge (trim analog, coolant temp, fuel level, volt meter), White, D=110mm
			• Bulletin P-36-9-3	P-36-9-3-EN	New products in the EVC family
3	3847876	1	Instrument		Four in one gauge (oil pressure, coolant temp, fuel level, volt meter), Black, D=110mm
			• Bulletin P-36-9-3	P-36-9-3-EN	New products in the EVC family
3	3847879	1	Instrument		Four in one gauge (trim analog, coolant temp, fuel level, volt meter), Black, D=110mm
			• Bulletin P-36-9-3	P-36-9-3-EN	New products in the EVC family
4	874930	1	Speedometer		White 0-40 Knots, 0-40 mph
	874917	1	Speedometer		Black 0-40 knots, 0-40 mph
	881650	1	Speedometer		White 0-60 Knots, 0-60 mph
	881645	1	Speedometer		Black 0-60 knots, 0-60 mph
	3807508	1	Speedometer		Black, 0-40 mph
	3847851	1	Speedometer		Black, 0-45 mph
	3807510	1	Speedometer		Black, 0-60 mph
	3847857	1	Speedometer		Black, 0-70 mph
	(3807512)	1	Speedometer		Obsolete part, White, 0-40 mph
	3847854	1	Speedometer		White, 0-45 mph
	3807513	1	Speedometer		White, 0-60 mph
	3847860	1	Speedometer		White, 0-70 mph
	3595249	1	Speedometer		Unit neutral, White, D=110mm, 0-40
			• Bulletin P-36-9-3	P-36-9-3-EN	New products in the EVC family
4	3595253	1	Speedometer		Unit neutral, White, D=110mm, 0-60
			• Bulletin P-36-9-3	P-36-9-3-EN	New products in the EVC family
4	3595246	1	Speedometer		Unit neutral, Black, D=110mm, 0-40
			• Bulletin P-36-9-3	P-36-9-3-EN	New products in the EVC family
4	3595250	1	Speedometer		Unit neutral, Black, D=110mm, 0-60
			• Bulletin P-36-9-3	P-36-9-3-EN	New products in the EVC family
5	874919	1	Oil pressure gauge		Black 0-100 psi
	874923	1	Oil pressure gauge		White 0-7 bar
	874932	1	Oil pressure gauge		White 0-100 psi
6	874904	1	Thermometer, coolant water		Black 0-120°C
	874921	1	Thermometer, coolant water		White 0-120°C
	874918	1	Thermometer, coolant water		Black 40-250 °F
	874931	1	Thermometer, coolant water		White 40-250 °F
	881857	1	Thermometer, oil		Black 40-300 °F
	881858	1	Thermometer, oil		White 40-300 °F
7	881649	1	Voltmeter		12V, black
	881658	1	Voltmeter		12V, white
	874913	1	Voltmeter		24V, black
	874925	1	Voltmeter		24V, white
8	874915	1	Instrument, alarm		Black D=52mm
	874927	1	Instrument, alarm		White D=52mm
9	874914	1	Fuel gauge		Black D=52mm
	874926	1	Fuel gauge		White D=52mm
10	874910	1	Turbo pressure gauge		Black 0-3 bar
	874920	1	Turbo pressure gauge		Black 0-45 psi
	874924	1	Turbo pressure gauge		White 0-3 bar
	874933	1	Turbo pressure gauge		White 0-45 psi
11	3812914	1	Rudder indicator		Black
	3812917	1	Rudder indicator		White
12	874911	1	Pressure gauge, freshwater		Black 0-3 bar

7749490-30-36119

25350

Upd:2012-02-08

D13B-H MP

REF	PART NO.	QTY	DESCRIPTION	SEE SEC.	NOTES
	874912	1	Pressure gauge, sea water		Black 0-3 bar
13	874709	1	Mounting kit		Black D=52mm
14	874450	1	• Attaching ring		
15	874448	1	• Ring		
16	874707	1	• Gasket		
17	874708	1	Mounting kit		Black D=85mm
18	874449	1	• Attaching ring		
19	874447	1	• Ring		
20	874706	1	• Gasket		
21	3847888	1	Mounting kit		Black D=110mm
			• Bulletin P-36-9-3	P-36-9-3-EN	New products in the EVC family
22	3884098	1	• Attaching ring		
23	3847887	1	• Ring		
24	3884103	1	• Gasket		
25	874733	1	Mounting kit		Chrome D=52mm
26	874450	1	• Attaching ring		
27	874731	1	• Ring		
28	874707	1	• Gasket		
29	874732	1	Mounting kit		Chrome D=85mm
30	874449	1	• Attaching ring		
31	874730	1	• Ring		
32	874706	1	• Gasket		
33	3885216	1	Mounting kit		Chrome D=110mm
			• Bulletin P-36-9-3	P-36-9-3-EN	New products in the EVC family
34	3884098	1	• Attaching ring		
35	3884096	1	• Ring		
36	3884103	1	• Gasket		
37	881611	1	Brace kit		Black D=52mm
38	881607	1	• Brace		
39	881610	2	• Nut		
40	881609	2	• Stud		
41	874707	1	• Gasket		
42	874448	1	• Ring		
43	881612	1	Brace kit		Black D=85mm
44	881608	1	• Brace		
45	881610	2	• Nut		
46	881609	2	• Stud		
47	874706	1	• Gasket		
48	874447	1	• Ring		
49	881613	1	Brace kit		Chrome D=52mm
50	881607	1	• Brace		
51	881610	2	• Nut		
52	881609	2	• Stud		
53	874707	1	• Gasket		
54	874731	1	• Ring		
55	881614	1	Brace kit		Chrome D=85mm
56	881608	1	• Brace		
57	881610	2	• Nut		
58	881609	2	• Stud		
59	874706	1	• Gasket		
60	874730	1	• Ring		
61	3886791	1	X-ring		For flush mounting., D=110mm
			• Bulletin P-36-9-3	P-36-9-3-EN	New products in the EVC family
62	874844	1	X-ring		For flush mounting., D=85mm
63	874843	1	X-ring		For flush mounting., D=52mm
64	874759	1	Extension cable'verl		L=1000mm
	3807043	1	Extension cable'verl		L=3000mm
65	3817974	1	Alarm		
66	3809099	1	Rudder position sens		Rudder indicator
67	3848966	1	Control unit, dimmer		
			• Bulletin P-38-1-1	P-38-1-1-EN	ADU - Automatic Dimmer Unit
68	(3889760)	1	Auto pilot		Obsolete part

7749490-30-36119

25350

Upd:2012-02-08

D13B-A MP, D13B-B MP, D13B-C MP, D13B-D MP, D13B-G MP, D13B-H MP