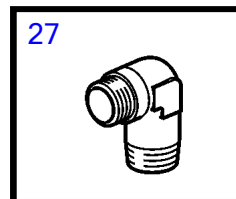
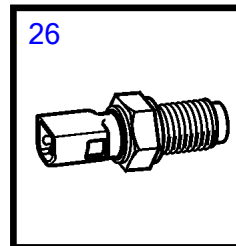
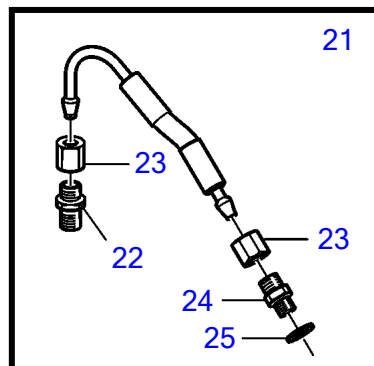
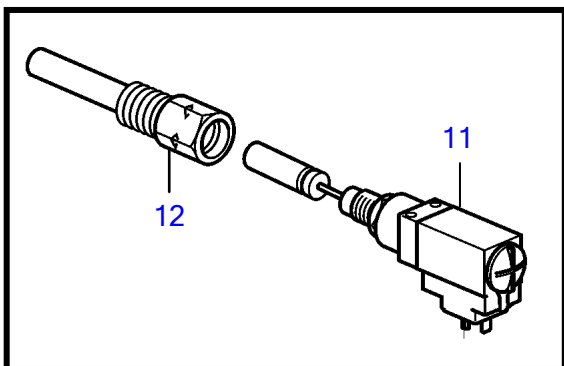
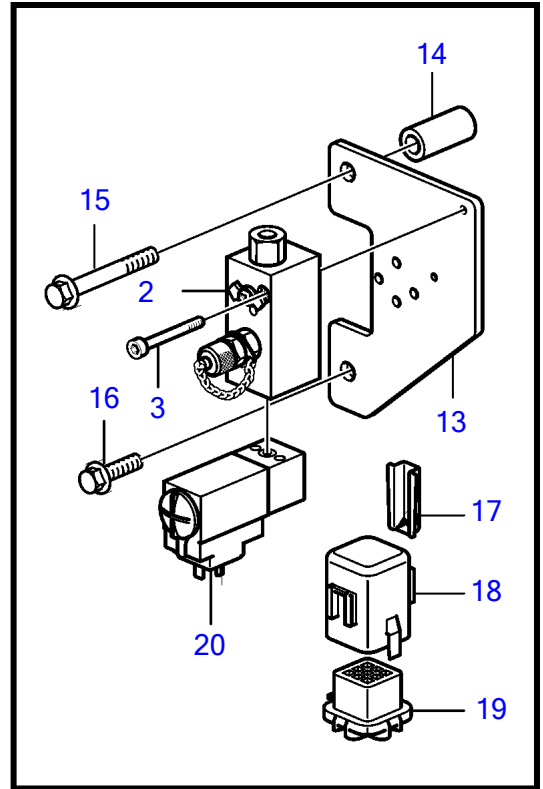
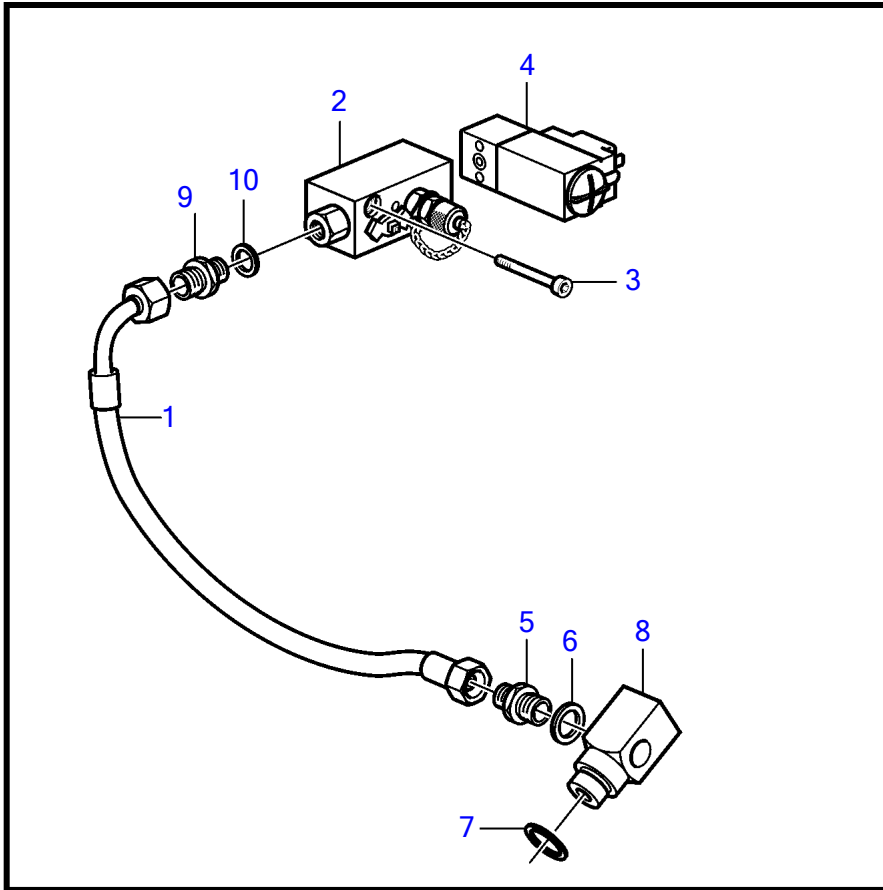


D13B-D MP



25944

D13B-D MP

REF	PART NO.	QTY	DESCRIPTION	NOTES
1	3835380	1	Hose	IPS
	21448588	1	Hose	Reverse gear
2	3831442	2	Block	
3	947671	4	Hex. socket screw	
4	21294587	1	Pressure monitor	
5	991057	2	Nipple	
6	11998	2	Gasket	
7	18677	1	Gasket	
8	3828349	1	X-nipple	
9	957030	1	Nipple	
10	18817	1	Gasket	
11	21294565	1	Thermo monitor	
12	873715	1	Sleeve	
13	21255345	1	Bracket	
14	849352	1	Spacer sleeve	
15	965188	1	Flange screw	
16	946472	1	Flange screw	
17	21492847	1	Relay bracket	
18	21494263	1	Relay box	
19	3587172	1	Relay socket	
20	21294594	1	Pressure monitor	
21	21315856	1	Pressure hose	
22	(942006)	1	• Nipple	Obsolete part
23	956981	2	• Fitting nut	
24	963947	2	• Nipple	
25	976927	1	• Gasket	
26	862251	1	Tachometer sensor	
27	3817365	1	Nipple	