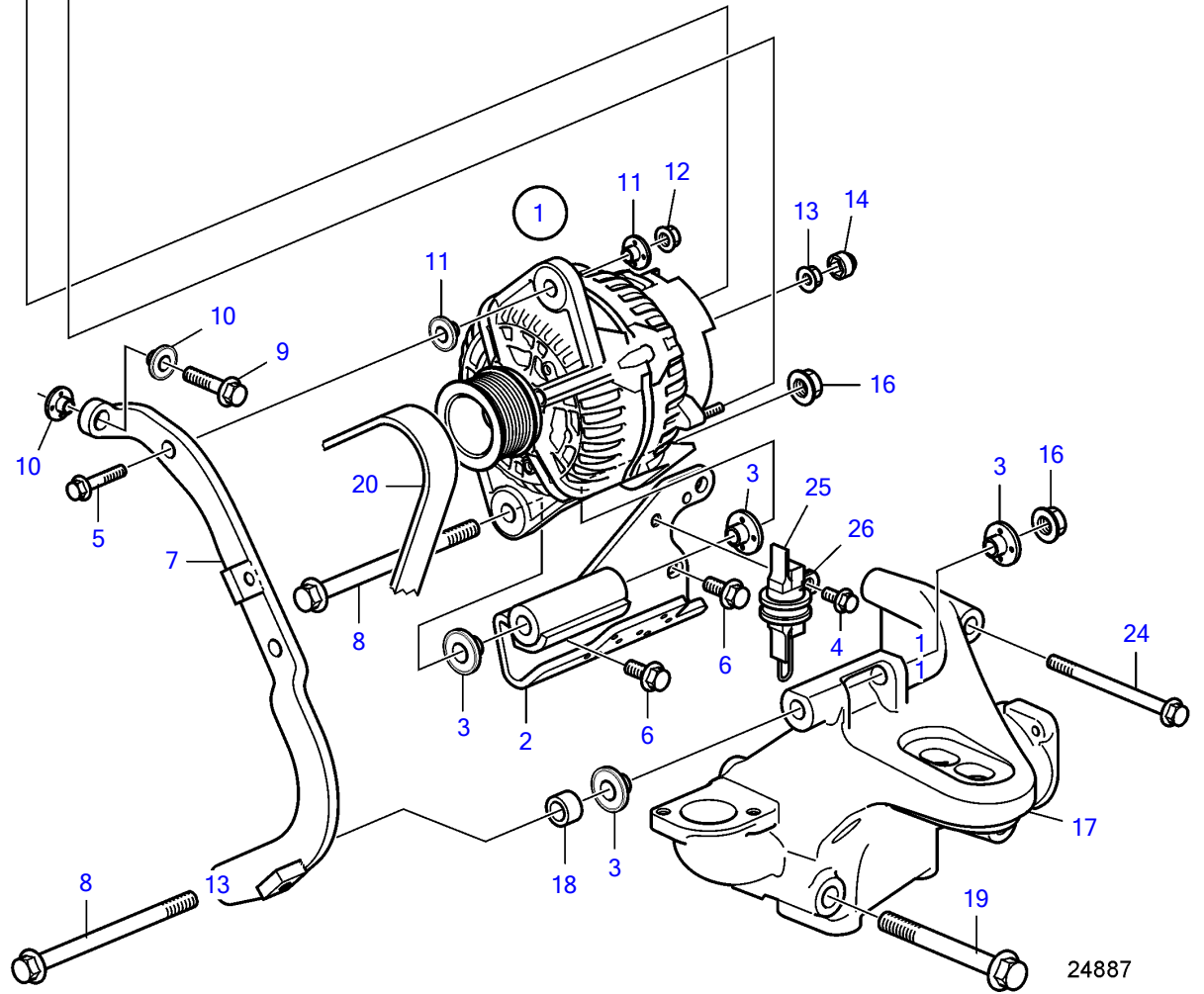
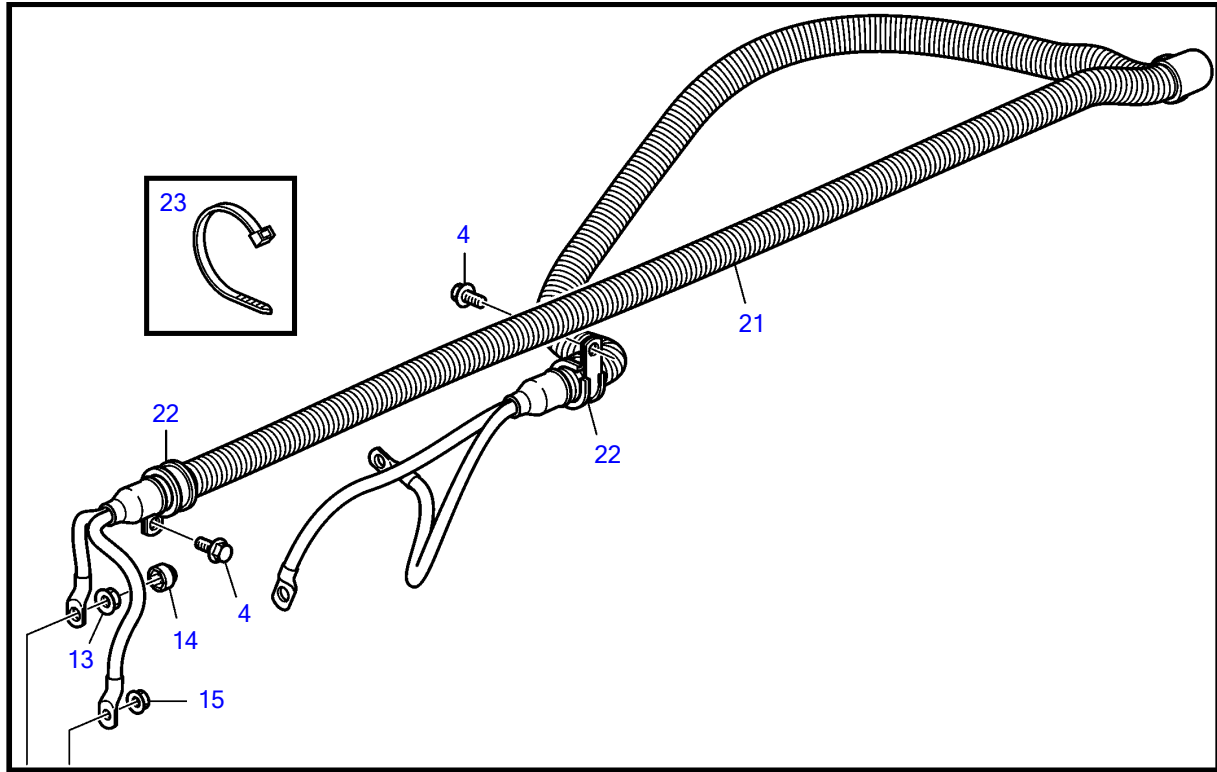


D13B-A MP, D13B-B MP, D13B-C MP, D13B-D MP, D13B-G MP, D13B-H MP



24887

D13B-A MP, D13B-B MP, D13B-C MP, D13B-D MP, D13B-G MP, D13B-H MP

| REF | PART NO. | QTY | DESCRIPTION                 | NOTES    |
|-----|----------|-----|-----------------------------|----------|
| 1   | 21429786 | 1   | Alternator                  | 28V 110A |
|     |          |     | • parts not sold separately |          |
| 2   |          | 1   | Alternator bracket          |          |
| 3   | 21308514 | 4   | Insulating bushing          |          |
| 4   | 946441   | 3   | Flange screw                |          |
| 5   | 947760   | 2   | Flange screw                |          |
| 6   | 946440   | 2   | Flange screw                |          |
| 7   | 3888085  | 1   | Alternator bracket          |          |
| 8   | 979935   | 2   | Flange screw                |          |
| 9   | 965185   | 1   | Flange screw                |          |
| 10  | 21308512 | 2   | Insulating bushing          |          |
| 11  | 21328137 | 2   | Insulating bushing          |          |
| 12  | 948645   | 1   | Flange lock nut             |          |
| 13  | 983715   | 2   | Hexagon nut                 |          |
| 14  | 20576874 | 2   | Cap plug                    |          |
| 15  | 983714   | 1   | Hexagon nut                 |          |
| 16  | 971099   | 2   | Flange lock nut             |          |
| 17  | 21256248 | 1   | Engine bracket              |          |
| 18  | 1678297  | 1   | Spacer sleeve               |          |
| 19  | 968902   | 4   | Flange screw                |          |
| 20  | 20430615 | 1   | V-ribbed belt               |          |
| 21  | 21100789 | 1   | Wiring harness              |          |
| 22  | 947827   | 2   | Clamp                       |          |
| 23  | 948211   | X   | Cable tie                   |          |
| 24  | 975107   | 1   | Flange screw                |          |
| 25  | 21216813 | 1   | Diode unit                  |          |
| 26  | 949379   | 1   | Clamp                       |          |