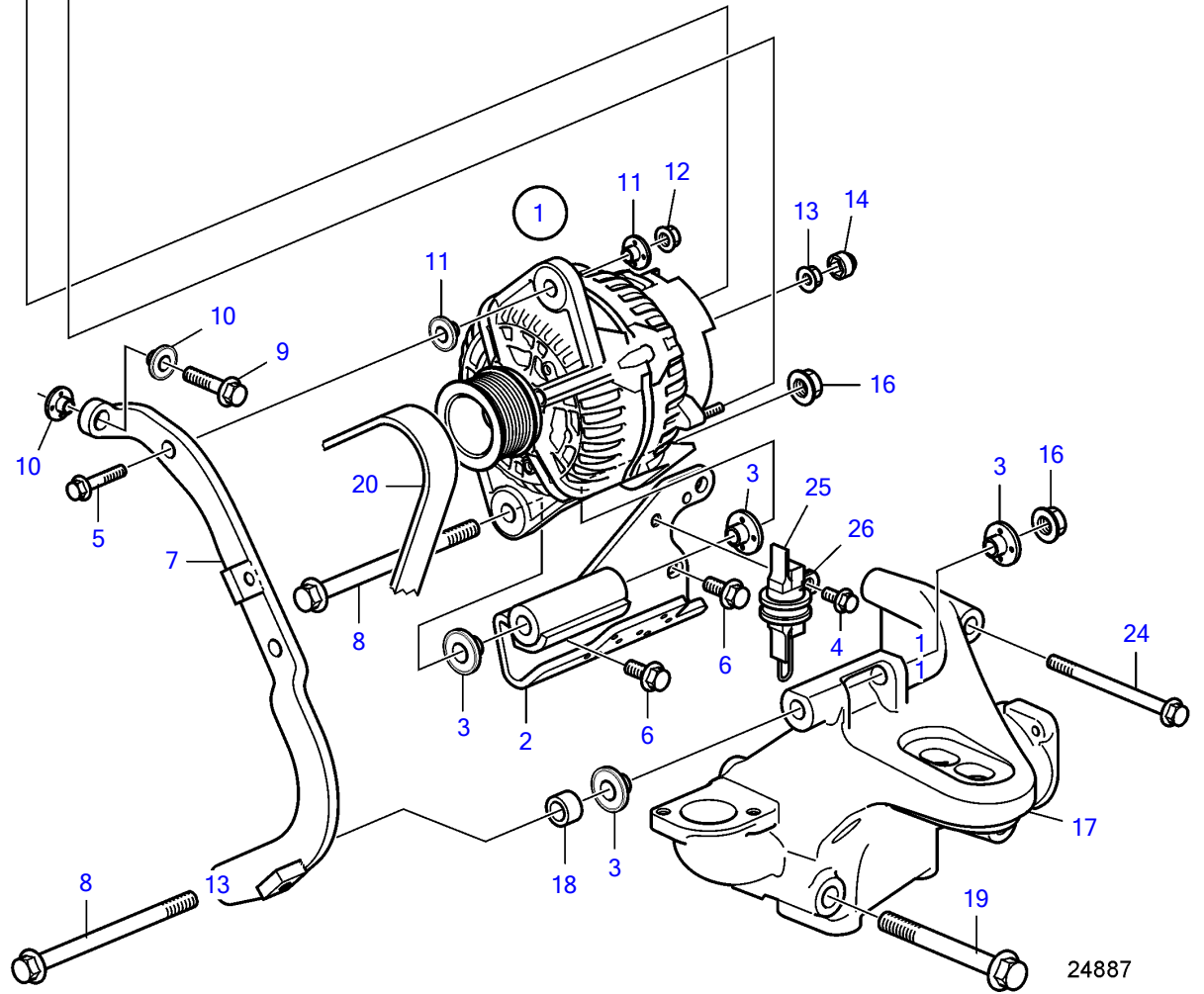
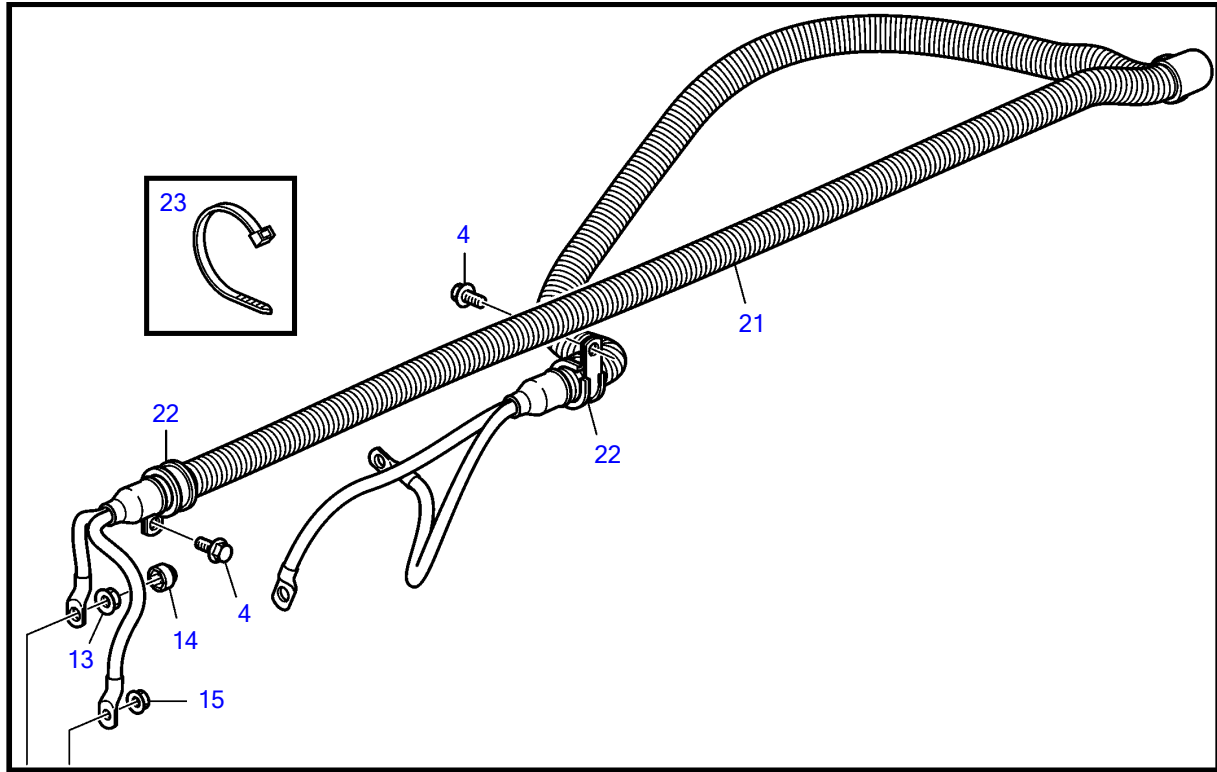


D13B-A MP, D13B-B MP, D13B-C MP, D13B-D MP, D13B-G MP, D13B-H MP



24887

D13B-A MP, D13B-B MP, D13B-C MP, D13B-D MP, D13B-G MP, D13B-H MP

REF	PART NO.	QTY	DESCRIPTION	NOTES
1	21429786	1	Alternator	28V 110A
			• parts not sold separately	
2		1	Alternator bracket	
3	21308514	4	Insulating bushing	
4	946441	3	Flange screw	
5	947760	2	Flange screw	
6	946440	2	Flange screw	
7	3888085	1	Alternator bracket	
8	979935	2	Flange screw	
9	965185	1	Flange screw	
10	21308512	2	Insulating bushing	
11	21328137	2	Insulating bushing	
12	948645	1	Flange lock nut	
13	983715	2	Hexagon nut	
14	20576874	2	Cap plug	
15	983714	1	Hexagon nut	
16	971099	2	Flange lock nut	
17	21256248	1	Engine bracket	
18	1678297	1	Spacer sleeve	
19	968902	4	Flange screw	
20	20430615	1	V-ribbed belt	
21	21100789	1	Wiring harness	
22	947827	2	Clamp	
23	948211	X	Cable tie	
24	975107	1	Flange screw	
25	21216813	1	Diode unit	
26	949379	1	Clamp	