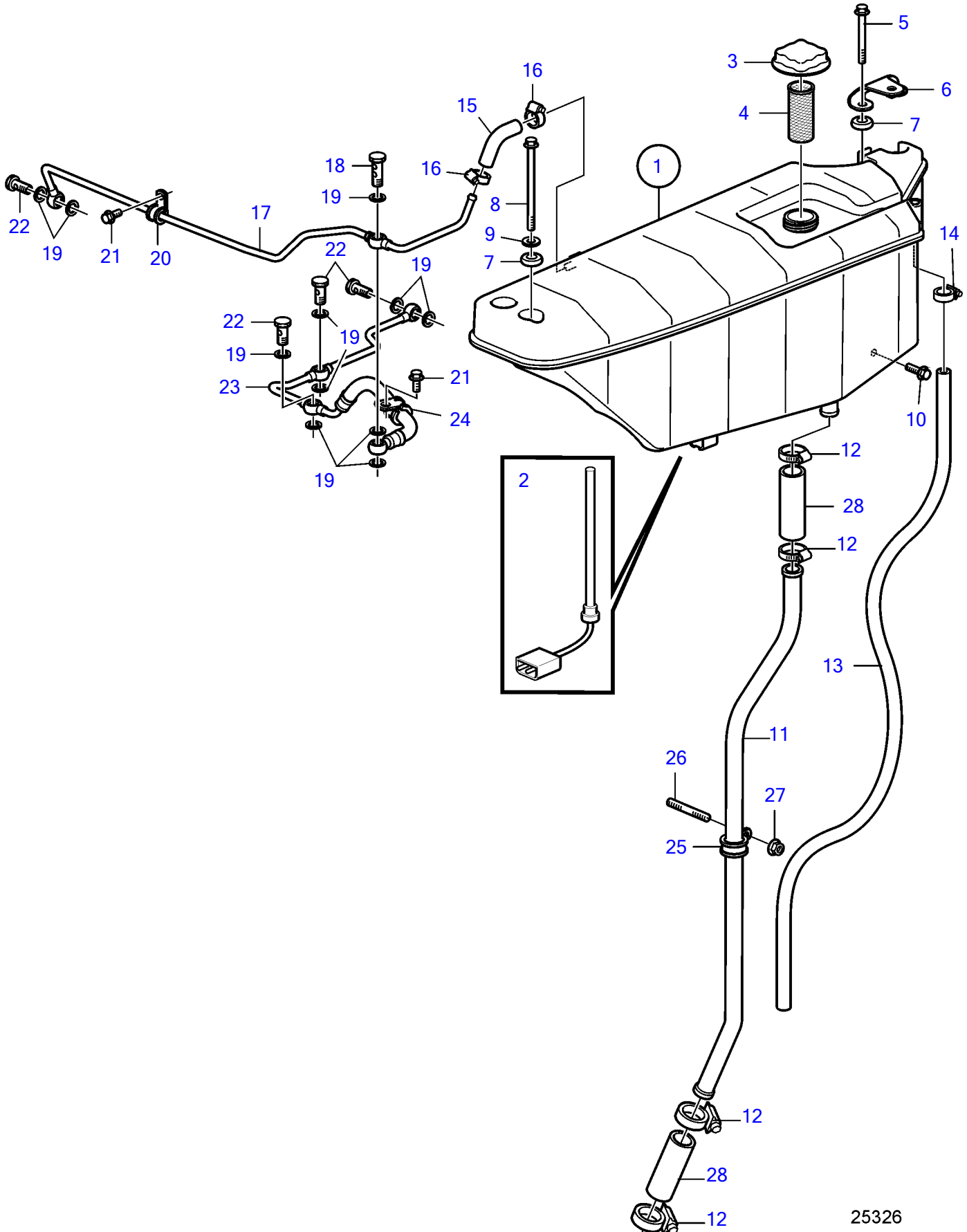


D13B-A MP, D13B-B MP, D13B-C MP, D13B-D MP, D13B-G MP, D13B-H MP



D13B-A MP, D13B-B MP, D13B-C MP, D13B-D MP, D13B-G MP, D13B-H MP

REF	PART NO.	QTY	DESCRIPTION	NOTES
1	3885197	1	Expansion tank	Replaced by 21505289
	21505289	1	Expansion tank	
2	3588990	1	• Level sensor	
3	1674083	1	• Pressure cap	
4	21366063	1	Pipe	
5	965181	2	Flange screw	
6	21167108	1	Bracket, cover	
7	3285120	4	Grommet	
8	969225	2	Flange screw	
9	976944	2	Washer	
10	946173	1	Flange screw	
11	21471345	1	Coolant pipe	
12	961666	4	Hose clamp	
13	943367	X	Rubber hose	L=11000mm
14	961663	1	Hose clamp	
15	943367	X	Rubber hose	L=80mm
16	961663	2	Hose clamp	
17	21505623	1	Air vent pipe	
18	947975	1	Hollow screw	
19	11994	11	Gasket	
20	942400	1	Clamp	
21	946440	2	Flange screw	
22	969299	4	Hollow screw	
23	21139808	1	Air vent pipe	
24	949747	1	Clamp	
25	1545432	1	Attaching clamp	
26	981440	1	Stud	
27	945408	1	Flange nut	
28	943369	X	Rubber hose	L=75mm