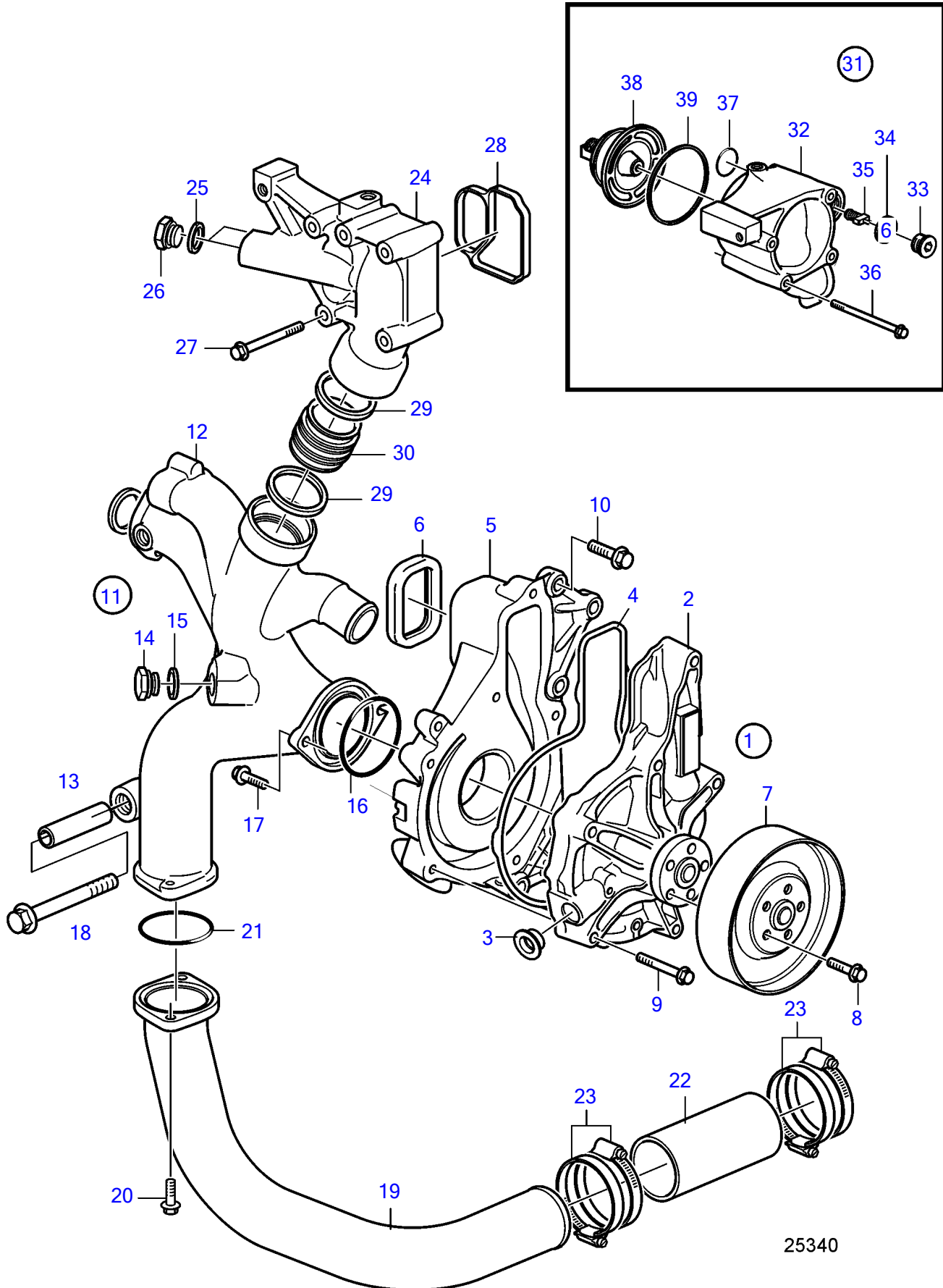


D13B-A MP, D13B-C MP, D13B-G MP, D13B-H MP



D13B-A MP, D13B-C MP, D13B-G MP, D13B-H MP

REF	PART NO.	QTY	DESCRIPTION	NOTES
1	21228793	1	Pump unit	
2		1	• Pump unit	
3		1	• • Plastic plug	
4	21415427	1	• • Sealing ring	
5		1	Coolant pump	
6	20430678	1	Sealing ring	
7	20711223	1	Pulley	
8	947107	5	Flange screw	
9	965180	6	Flange screw	
10	965185	6	Flange screw	
11	3594795	1	Coolant pipe	
12		1	• Coolant pipe	
13		1	• Spacer	
14	914392	1	Plug	
15	976932	1	Gasket	
16	975697	1	O-ring	
17	946671	2	Flange screw	
18	965190	1	Flange screw	
19	3889770	1	Water pipe	
20	945444	2	Flange screw	
21	975675	1	O-ring	
22	949540	1	Hose	L=150mm
23	961673	4	Hose clamp	
24	21403177	1	Pipe connection	
25	976932	2	Gasket	
26	914392	2	Plug	
27	965182	5	Flange screw	
28	20479636	1	Sealing strip	
29	1547254	2	Sealing ring	
30	21021925	1	Connection pipe	
31		1	Thermostat housing	
32		1	• Thermostat housing	
33	981280	1	• Plug	
34	18813	1	• Gasket	
35	21246119	1	• By-pass valve	
36	969225	4	Flange screw	
37	949659	1	O-ring	
38	21237213	1	Thermostat	Replaced by 21412646
	21412639	1	Thermostat	
39		1	• Seal	